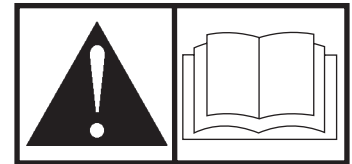




PROSERIES

Air Compressor Operator's Manual



BRIGGS & STRATTON POWER PRODUCTS GROUP, LLC
JEFFERSON, WISCONSIN, U.S.A.



Manual No. 203719GS Revision - (07/18/2007)

Thank you for purchasing this quality-built Briggs & Stratton air compressor. We are pleased that you've placed your confidence in the Briggs & Stratton brand. When operated and maintained according to the instructions in this manual, your Briggs & Stratton air compressor will provide many years of dependable service.

This manual contains safety information to make you aware of the hazards and risks associated with air compressors and how to avoid them. This air compressor has been manufactured to provide an adequate volume of compressed air for operating a variety of light-duty air tools (hand grinders, nailers, ratchets, or staplers), spraying equipment, and inflators requiring less than 4.9 CFM air flow for operation. It is important that you read and understand these instructions thoroughly before attempting to start or operate this equipment. **Save these instructions for future reference.**

This air compressor requires final assembly before use. Refer to the *Assembly* section of this manual for instructions on final assembly procedures. Follow the instructions completely.

Where to Find Us

You never have to look far to find Briggs & Stratton support and service for your air compressor. Consult your Yellow Pages. There are over 30,000 Briggs & Stratton authorized service dealers worldwide who provide quality service. You can also contact Briggs & Stratton Customer Service by phone at **(800) 743-4115**, or on the Internet at BRIGGSandSTRATTON.COM.

Air Compressor

Model Number

--	--	--	--	--	--	--

Revision

--	--

Serial Number

--	--	--	--	--	--	--	--	--	--	--

Date Purchased

--	--	--	--	--	--

Briggs & Stratton Power Products Group, LLC
900 North Parkway
Jefferson, WI 53549

Copyright © 2007 Briggs & Stratton Power Products Group, LLC. All rights reserved. No part of this material may be reproduced or transmitted in any form by any means without the express written permission of Briggs & Stratton Power Products Group, LLC.

Table of Contents

Operator Safety	4
Equipment Description	4
Safety Rules	4
Assembly	7
Unpack Air Compressor	7
Add Oil	7
Features and Controls	8
Operation	9
Air Compressor Operating Location	9
Grounding Instructions	9
Break-In Procedure	9
Starting Your Air Compressor	10
Stopping Your Air Compressor	10
Extension Cords	10
Compressor Operation	11
Overload Protection Reset	11
Maintenance	12
Maintenance Schedule	12
Inspect Safety Valve	12
Inspect Tank Drain Valve	12
Pump Oil	13
Cleaning Unit	13
Inspect / Clean Air Filter	14
Inspect Safety Labels	14
Storage	14
Troubleshooting	15
Before You Call	15
Glossary	17
Warranty	18
Specifications	20
Product Specifications	20
Common Service Parts	20

Safety

Assembly

Controls

Operation

Maintenance

Troubleshooting

Warranty

Español

es

Français

fr

Operator Safety

Equipment Description



Read this manual carefully and become familiar with your air compressor. Know its applications, its limitations and any hazards involved.

This manual contains operation and maintenance information for a single stage air compressor that produces 4.9 CFM at 40 PSI (2.8 bars) and 3.6 CFM at 90 PSI (6.2 bars) using a 120 Volt A.C. electric motor. This high quality system features a direct drive oil lube pump with cast iron sleeve, an easy start valve, and a motor overload protection feature with manual restart.

This air compressor has been manufactured to provide an adequate volume of compressed air for operating a variety of light-duty air tools (hand grinders, nailers, ratchets, or staplers), spraying equipment, and inflators requiring less than 4.9 CFM air flow for operation. Operate this compressor ONLY in an ambient temperature range from 32° to 95°F (0° to + 35°C). This compressor is designed for a maximum of 70% duty per hour at full load.

Every effort has been made to ensure that information in this manual is accurate and current. However, we reserve the right to change, alter or otherwise improve the product and this document at any time without prior notice.

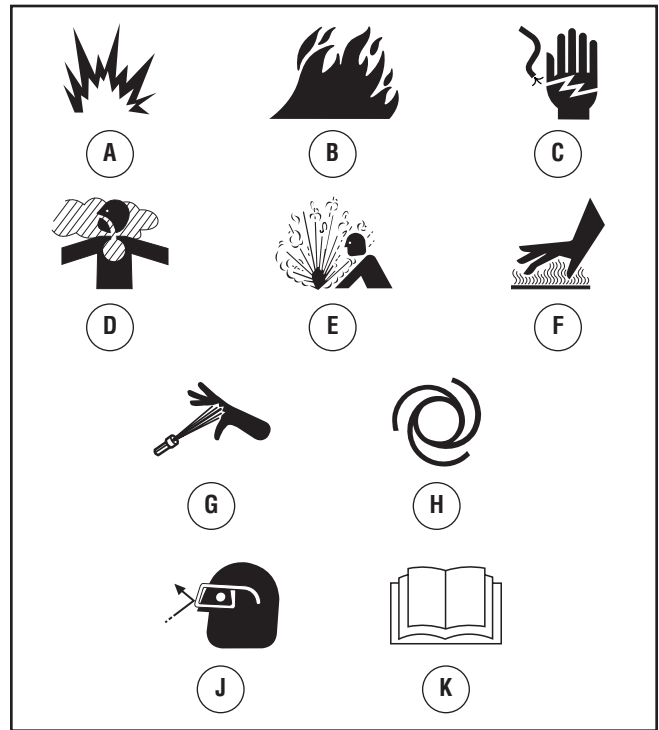
Safety Rules



This is the safety alert symbol. It is used to alert you to potential personal injury hazards. Obey all safety messages that follow this symbol to avoid possible injury or death.

The safety alert symbol (▲) is used with a signal word (DANGER, CAUTION, WARNING), a pictorial and/or a safety message to alert you to hazards. **DANGER** indicates a hazard which, if not avoided, *will* result in death or serious injury. **WARNING** indicates a hazard which, if not avoided, *could* result in death or serious injury. **CAUTION** indicates a hazard which, if not avoided, *might* result in minor or moderate injury. **NOTICE** indicates a situation that could result in equipment damage. Follow safety messages to avoid or reduce the risk of injury or death.

Hazard Symbols and Meanings



A - Explosion

B - Fire

C - Electric Shock

D - Toxic Fumes

E - Compressed Air


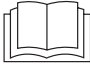
F - Hot Surface



G - Air Injection



H - Auto-Start



J - Flying Objects


K - Read Manual


 WARNING	
	Failure to read and follow instructions in Operator's Manual can result in death, bodily injury and / or property damage.
<ul style="list-style-type: none"> • Before using this product, read this Operator's Manual and follow all Safety Rules and Operating Instructions listed. • Make this manual available to other users of this equipment. 	


 WARNING	
	<p>Contact with compressor or its cord can cause electric shock or burn.</p> <p>Improper grounding can result in electrical shock.</p> <p>Contact with components under protective cover can cause electric shock or burn.</p>
<ul style="list-style-type: none"> • DO NOT use grounding adapters. Inspect cord before each use. • DO NOT operate with protective covers / guards removed or damaged. • DO NOT operate in wet conditions. Store unit indoors. • Disconnect from power source and drain pressure from tank when not in use or before servicing. • DO NOT modify the plug provided. If it does not fit the available outlet, a qualified electrician should install a proper outlet. • A qualified electrician MUST make repairs to the cord set or plug. 	


 WARNING	
	<p>Hidden internal tank corrosion can cause violent explosion leading to severe injury and / or property damage.</p> <p>Exceeding pressure rating of attachments or inflatables can cause severe injury and / or property damage.</p> <p>Tampering with or removing ASME Safety Valve can cause explosion leading to severe injury and / or property damage.</p>
<ul style="list-style-type: none"> • DRAIN TANK after every 4 hours of use or daily by opening drain fitting(s) and tilting compressor to empty accumulated water. • DO NOT modify or repair tank in any way. • DO NOT adjust pressure greater than maximum rating of attachments or inflatables. • DO NOT tamper with or remove ASME Safety Valve. Check ASME Safety Valve by pulling ring before each use. ASME Safety Valve has been set to maximum safe rating. 	

 WARNING	
	<p>Spraying flammable or combustible liquids can cause fire or explosion.</p> <p>Compressor produces sparks during operation, which can ignite flammable or combustible vapors.</p>
<ul style="list-style-type: none"> • DO NOT spray flammable or combustible liquids while smoking, near sparks, open flames, pilot lights, any ignition source, or in confined areas. • Spray in an open, well ventilated area at least 20 feet (6.1 meters) away from compressor or other ignition source. 	

⚠ WARNING	
	Compressed air is not breathable and can cause bodily injury. Some paints or solvents may be harmful if inhaled or ingested, causing severe nausea, fainting or poisoning.
<ul style="list-style-type: none"> • DO NOT use compressed air for breathing. • Always use NIOSH respirator approved for your application when spraying. • Read all instructions with respirator so you are certain it will provide necessary protection against inhaling harmful vapors. 	

⚠ WARNING	
	Operating air compressor and tubing are HOT and can cause burns.
<ul style="list-style-type: none"> • DO NOT touch compressor or tubing. • Allow compressor to cool before servicing. 	

⚠ WARNING	
	Compressor can start any time when plugged in.
<ul style="list-style-type: none"> • STAY CLEAR • Disconnect from power source and drain pressure from tank when not in use or before servicing. 	

⚠ WARNING	
	Compressed air stream from hose or tank drain can cause soft tissue damage to exposed skin and can propel objects leading to severe injury and / or property damage.
<ul style="list-style-type: none"> • DO NOT direct air stream at self or others. • DO NOT attempt to repair air hose(s). • Always wear ANSI Z87.1 approved safety glasses with side shields. 	

NOTICE	
Serious damage may result if the break-in instructions are not closely followed.	
<ul style="list-style-type: none"> • This procedure is required before the air compressor is put into service and when the Check Valve or a complete compressor pump has been replaced. 	

NOTICE	
Serious damage may result if operating the unit with insufficient oil. Check oil level daily or with each use.	
<ul style="list-style-type: none"> • Damage to equipment resulting from failure to follow this instruction will void warranty. 	

Assembly

Unpack Air Compressor

1. Remove everything from carton except air compressor.
2. Lift air compressor out of carton.

Items in the carton include:

- Air Compressor
- Bottle of Compressor Pump Oil
- Oil Dipstick
- Operator's Manual

If any of the above parts are missing or damaged, call the helpline at **(800) 743-4115**.

Also recommended for use:

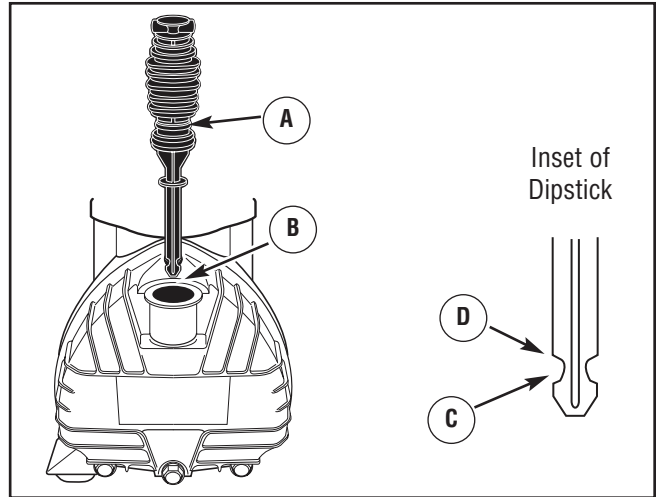
- Safety glasses (ANSI Z87.1 approved safety glasses with side shields)
- Air hose - 25 ft (7.6M), 3/8 inch diameter
- Quick connector fitting - Use type I/M quick connect fittings that attach to 1/4 inch NPT thread
- Hearing protection (ANSI S3.19-1974) in noisy environments
- Respirator (NIOSH-approved) in dusty environments
- Oil funnel

Your compressor is ready for use when:

Properly serviced with supplied oil
Connected to a suitable power source
Completed Break-In Procedure

Add Oil

1. Place compressor on a flat, level surface.
2. Remove and discard the shipping cap. Using an oil funnel, slowly fill pump with oil to notch on dipstick.



3. Reinstall dipstick (A) into oil fill opening (B).
4. Carefully remove dipstick and verify that oil level is at proper level (C).

NOTICE

Serious damage may result if operating the unit with insufficient oil. Check oil level daily or with each use.

- Damage to equipment resulting from failure to follow this instruction will void warranty.

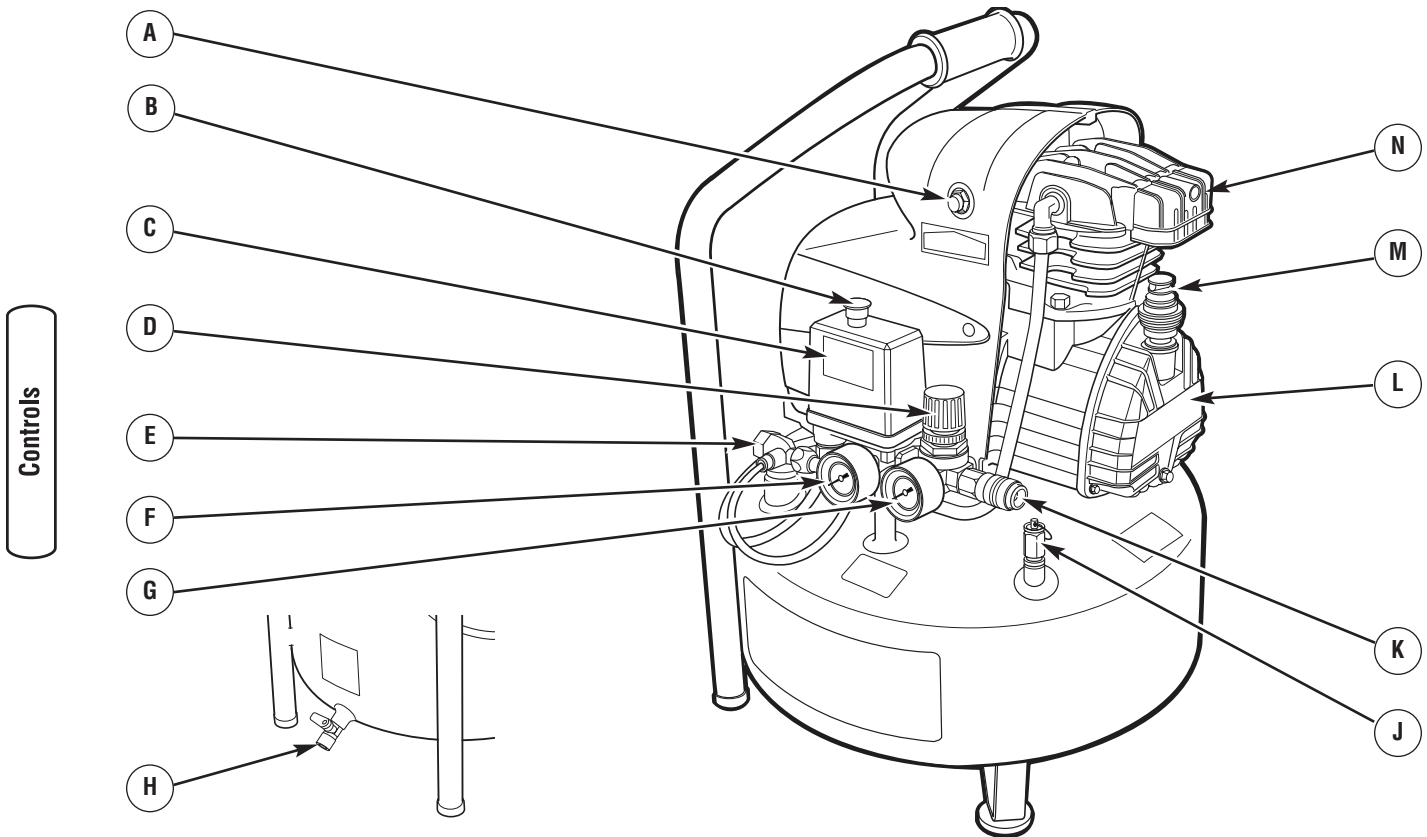
5. If oil level is too low, slowly add recommended oil into oil fill to proper level on dipstick. If oil is above **MAXIMUM** oil level (D), drain excess oil, as described in *Pump Oil*.
6. Reinstall oil dipstick.

Features and Controls



Read this Operator's Manual and safety rules before operating your air compressor.

Compare the illustrations with your air compressor, to familiarize yourself with the locations of various controls and adjustments. Save this manual for future reference.



A - Overload Protector — If motor is overloaded, protector shuts motor off. See *Overload Protection Reset*.

B - ON - OFF Switch — Pull to ON position to power air compressor. Push to OFF position to remove power.

C - Pressure Switch — Automatically starts motor when tank pressure drops below “cut-in” pressure and stops motor when pressure rises to “cut-out” pressure.

D - Pressure Control — Controls air pressure delivered to Quick Connect Fitting; can be secured with locking ring.

E - Check Valve — When unit is operating, check valve is open, allowing air to enter tank. At “cut-out” pressure, check valve closes, preventing air from flowing back into pump. Valve is not serviceable by user.

F - Tank Pressure Gauge — Gauge indicates air pressure within air tank.

G - Outlet Pressure Gauge — Indicates air pressure at quick connect fitting.

H - Drain Valve — Valve is located near bottom of air tank and is used to drain condensation.

J - Safety Valve — Valve protects against excessive tank pressure by ‘popping out’ at its factory setting, thus relieving pressure.

K - Quick Connect Fitting — Connect air tools here.

L - Air Compressor Pump — Pump compresses air into tank.

M - Oil Dipstick — Remove to check and add compressor pump oil.

N - Air Filter — Protects air compressor by filtering dust and debris out of intake air.

Items Not Illustrated:

Data Tag — The data tag contains serial number, model number, and revision number information.

Pressure Release Valve — Located on top of tank adjacent to quick connect fitting, valve automatically releases air from internal compressor components at “cut-out” pressure or when unit is shut off. Valve is not serviceable by user.

NOTE: See *Glossary* for definitions.

Operation

Air Compressor Operating Location

Locate the air compressor in a clean, dry and well-ventilated area for operation. The air compressor should be placed at least 12 inches (30 cm) away from walls or other obstructions that could interfere with airflow.



The air compressor pump and shroud are designed to allow for proper cooling. The ventilation openings on the compressor are necessary to maintain proper operating temperature. **DO NOT** place rags or containers on or near these openings. Keep the air filter clear of obstructions that could reduce airflow to the air compressor.

Operate the air compressor with unit located on a flat surface to ensure that it receives proper lubrication.

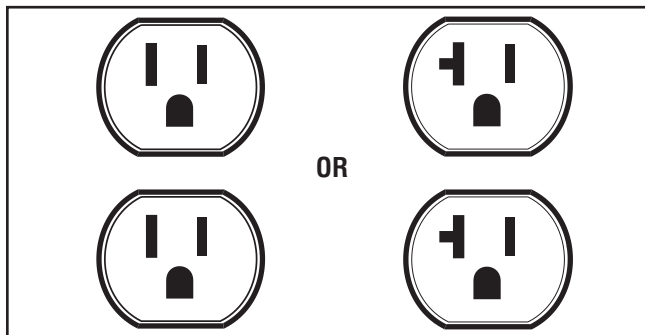
If you have any problems with operation of your air compressor, call air compressor helpline at **(800) 743-4115**. If calling for assistance, please have the model, revision, and serial number from the data tag available.

Grounding Instructions

1. The cord set and plug supplied with this unit contains a grounding pin. This plug **MUST** be used with a grounded outlet.

 WARNING	
	Improper grounding can result in electrical shock.
<ul style="list-style-type: none"> • DO NOT use grounding adapters. • DO NOT modify the plug provided. If it does not fit the available outlet, a qualified electrician should install a proper outlet. • A qualified electrician MUST make repairs to the cord set or plug. 	

2. Make sure power outlet being used has same configuration as air compressor's plug.
DO NOT use a ground adapter.



3. Inspect plug and cord before each use. **DO NOT** use compressor if there are signs of damage.

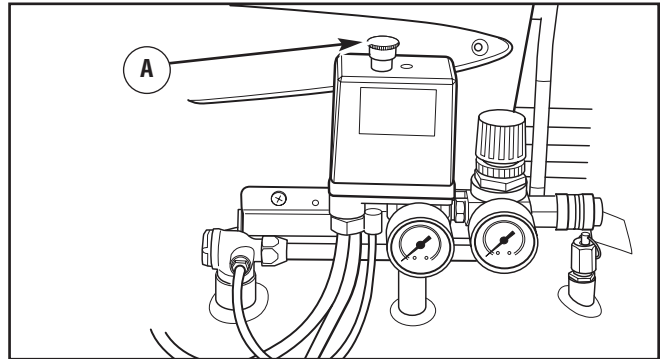
IMPORTANT: If these grounding instructions are not completely understood, or if in doubt that air compressor is correctly grounded, have installation checked by a qualified electrician.

Break-In Procedure

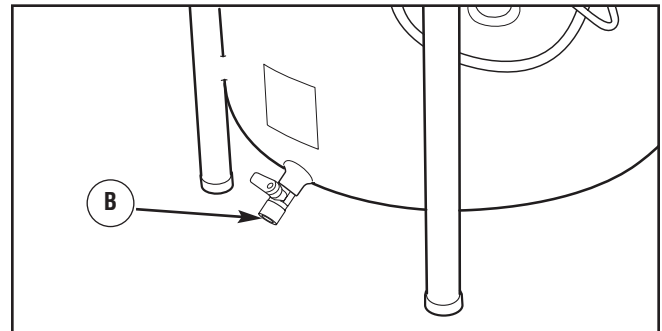
Before first use of this equipment, the system must undergo a break-in operation, as described in this section.

NOTICE
Serious damage may result if the break-in instructions are not closely followed.
<ul style="list-style-type: none"> • This procedure is required before the air compressor is put into service and when the Check Valve or a complete compressor pump has been replaced.

1. Make sure **ON - OFF** switch is in **OFF** position (A).



2. Plug power cord into an isolated 120 Volt A.C. grounded outlet. See *Grounding Instructions*.
3. Open drain valve (B) (rotate fully counterclockwise) to prevent air pressure build-up in air tank during break-in period.



NOTE: Always drain air tank over a washable surface or in a suitable container to prevent damaging or staining surfaces.

4. Pull **ON - OFF** switch to **ON** position. Compressor will start.

NOTE: If you hear leaking air, pull quick connect coupler back until it clicks to reset coupler valve.

5. Run compressor for 15 minutes. Make sure drain valve remains open.
6. After 15 minutes, close drain valve (rotate fully clockwise). Air tank will fill to "cut-out" pressure and compressor will stop.

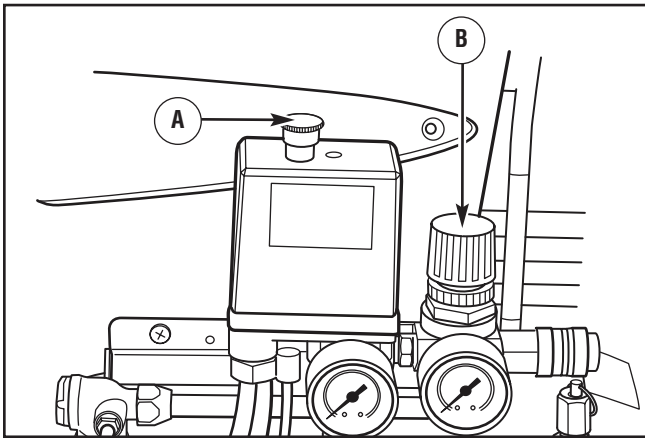
NOTE: Check oil level in compressor after break-in.

The compressor has completed the break-in procedure and is ready for normal use.

Operation

Starting Your Air Compressor

1. Make sure **ON - OFF** switch (A) is in **OFF** position.



2. Plug power cord into an isolated 120 Volt A.C. grounded outlet.
3. Turn pressure control knob (B) counterclockwise until knob turns without resistance.
4. Pull **ON - OFF** switch to **ON** position. Compressor will start.

NOTE: If the motor fails to start, refer to *Troubleshooting*.

NOTE: If you hear air leaking, pull quick connect coupler back until it clicks to reset coupler valve.

The air compressor is fully automatic and is controlled by the pressure switch. The compressor will run until pressure in the air tank reaches cut-out pressure. The compressor will restart when pressure in the air tank falls below the cut-in pressure. See *Glossary* for definitions.

NOTE: Always operate the air compressor in well-ventilated areas free of gasoline or other flammable/combustible vapors. If the compressor is being used to spray volatile chemicals (such as paint), locate the compressor at least 20 feet (6.1 meters) away from the spray area.

Stopping Your Air Compressor

1. Push **ON - OFF** switch to **OFF** position. Compressor motor will stop.
2. If finished using compressor, unplug compressor's power cord from outlet.
3. Pull safety valve ring to release most of tank's compressed air. Release valve ring.
4. Open drain valve to fully drain air tank.

NOTE: Always drain air tank over a washable surface or in a suitable container to prevent damaging or staining surfaces.

NOTE: The compressor generates condensation water (condensate) that accumulates in the air tank. Drain the condensate every 4 hours or daily.

5. Close drain valve.

Extension Cords

NOTE: Avoid use of extension cords.

The air compressor should be located where it can be directly plugged into a grounded outlet. **DO NOT** use an extension cord unless absolutely necessary. Instead, increase the working reach of the air hose by attaching two or more air hoses together.

If the use of an extension cord cannot be avoided, use these guidelines:



- Use only a 3-wire extension cord that has a 3-blade grounding plug, and a 3-slot outlet that will accept the plug from the air compressor.
- Make sure the cord is in good condition.
- When compressor is used outdoors, use only extension cords marked "Intended for Outdoor Use".
- Follow these length restrictions:

<u>Distance Needed</u>	<u>Recommended Gauge</u>
Less than 25 ft. (7.5 M)	.12 AWG
25 to 50 ft. (7.5 to 15 M)	.10 AWG
More than 50 ft. (15 M)	.Not Recommended

Compressor Operation

You do not have to use the maximum operating pressure at all times because the air tool being used often requires less pressure. Here are general guidelines for setting pressure.

1. With air compressor connected to proper power and turned ON, attach desired air tool or accessory to quick connect fitting. Use recommended air hose and quick connect fitting.
2. Activate air tool and turn pressure control knob clockwise to increase outlet pressure.

 WARNING	
	Exceeding pressure rating of attachments or inflatables can cause severe injury and / or property damage.
<ul style="list-style-type: none"> • DO NOT adjust pressure greater than maximum rating of attachments or inflatables. 	

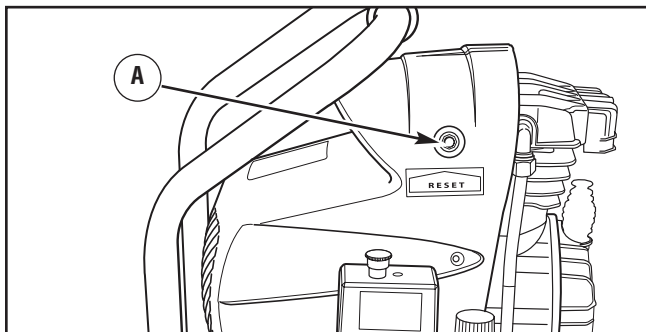
3. Observe outlet pressure gauge and adjust pressure to recommended setting of accessory tool.

NOTE: You must adjust outlet air pressure while tool is operating or activated.

4. Use lock ring on pressure control to lock in selected pressure setting by tightening it against pressure control knob.
5. Always operate this unit on a level surface to avoid lubrication problems.



Overload Protection Reset




This compressor is equipped with an overload protection feature that protects the motor. If the circuit breaker trips, wait 15 minutes for the motor to cool. Then push the **RESET** button (A) located on the motor shroud.







Also see *Troubleshooting* for more information.



Observe these safety precautions when operating air compressor:

 WARNING	
	Compressor can start any time when plugged in.
<ul style="list-style-type: none"> • STAY CLEAR • Disconnect from power source and drain pressure from tank when not in use or before servicing. 	

 WARNING	
 	Compressed air stream from hose or tank drain can cause soft tissue damage to exposed skin and can propel objects leading to severe injury and / or property damage.
<ul style="list-style-type: none"> • DO NOT direct air stream at self or others. • Always wear ANSI Z87.1 approved safety glasses with side shields. 	

 WARNING	
	Compressed air is not breathable and can cause bodily injury. Some paints or solvents may be harmful if inhaled or ingested, causing severe nausea, fainting or poisoning.
<ul style="list-style-type: none"> • DO NOT use compressed air for breathing. • Always use NIOSH respirator approved for your application when spraying. • Read all instructions with respirator so you are certain it will provide necessary protection against inhaling harmful vapors. 	

 WARNING	
	Operating air compressor and tubing are HOT and can cause burns.
<ul style="list-style-type: none"> • DO NOT touch compressor or tubing. • Allow compressor to cool before servicing. 	

 WARNING	
	Contact with compressor or its cord can cause electric shock or burn. Compressor must be grounded.
<ul style="list-style-type: none"> • DO NOT use grounding adapters. Inspect cord before each use. • DO NOT operate with protective covers / guards removed or damaged. • DO NOT operate in wet conditions. Store unit indoors. • Disconnect from power source and drain pressure from tank when not in use or before servicing. 	

Maintenance

Maintenance Schedule

Follow the hourly or calendar intervals, whichever occurs first. More frequent service is required when operating in adverse conditions noted below.

Maintenance Schedule - Fill in Dates as You Complete Regular Service						
Maintenance Task	Service Intervals				Service Dates	
	Daily	Weekly	Every 50 Hours or Yearly	Every 100 Hours or Yearly		
Inspect safety valve	X					
Inspect fittings/valves	X					
Inspect oil level		X				
Clean unit		X				
Inspect and clean air filter			X			
Change pump oil				X*		
Inspect safety labels				X**		

* Change oil after first 100 hours of operation, then every 300 hours thereafter.

** Inspect annually, replace as necessary.

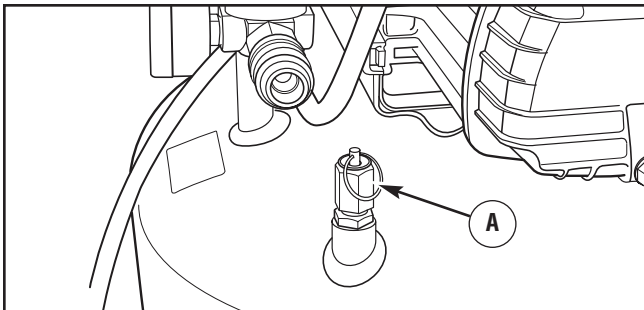
General Recommendations

To ensure efficient operation and longer life of the air compressor, prepare and follow a routine maintenance schedule. The routine described in this section is intended for an air compressor used under normal daily working conditions. If necessary, modify the schedule to suit the conditions under which you use your compressor. Modifications will depend upon hours of operation and working environment. Operating air compressors in extremely dirty or hostile environments will require more frequent maintenance checks.

NOTE: See *Features and Controls* and *Operation* for control locations.

Inspect Safety Valve



1. Pull ring on safety valve (A) and observe that safety valve operates freely.



2. If valve is stuck or does not operate smoothly, it must be replaced with same type of valve. Take unit to authorized service facility for repair.

Inspect Tank Drain Valve

1. Push **ON - OFF** switch to **OFF** and unplug unit.
2. Disconnect air tool or accessory from unit.

 WARNING	
	<p>Compressed air stream from hose or tank drain can cause soft tissue damage to exposed skin and can propel objects leading to severe injury and / or property damage.</p>
<ul style="list-style-type: none"> • DO NOT direct air stream at self or others. • Always wear ANSI Z87.1 approved safety glasses with side shields. 	

3. Pull ring on safety valve to reduce air pressure. Release safety valve ring.
4. Open drain valve (turn fully counterclockwise) and permit accumulated water to be discharged. Valves should operate smoothly and have full range of operation.
5. After water has drained, close drain valve fully clockwise.

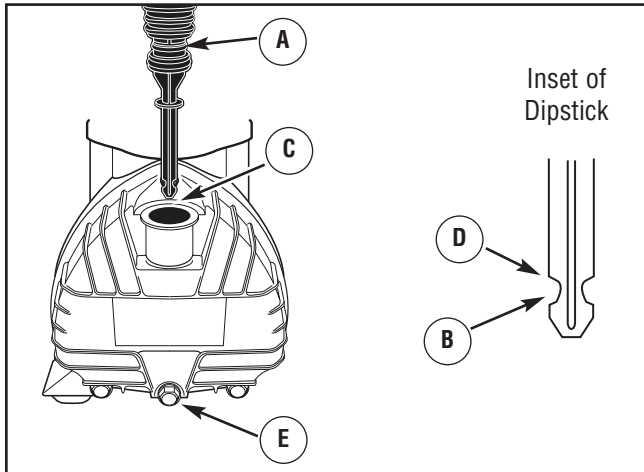
NOTE: If drain valve is plugged, pull safety valve ring to fully drain air from tank. Remove, clean and reinstall drain valve using pipe thread sealant.

Pump Oil

Checking Oil Level

Use these steps to check oil level:

1. Push **ON - OFF** switch to **OFF** and unplug unit.
2. Place unit on a flat, level surface.
3. Remove oil dipstick (**A**) and wipe dipstick with clean cloth.



4. Reinstall dipstick into oil fill opening.
5. Carefully remove dipstick and verify that oil level is at proper level (**B**).
6. If oil level is too low, slowly add recommended oil into oil fill (**C**) to proper level on dipstick. If oil is above **MAXIMUM** oil level (**D**), drain excess oil, as described in next section.
7. Reinstall oil dipstick.

Changing Oil

At recommended oil change interval, follow these steps:

1. Push **ON - OFF** switch to **OFF** and unplug unit.
2. Place unit on a flat, level surface.

⚠ WARNING	
	Operating air compressor and tubing are HOT and can cause burns.
<ul style="list-style-type: none"> • DO NOT touch compressor or tubing. • Allow compressor to cool before servicing. 	

3. Remove oil dipstick and wipe dipstick with clean cloth.
4. Position a suitable container under drain plug (**E**) to collect drain oil.
5. Use an adjustable wrench to remove hex head drain plug.
6. Fully drain oil into container. Install drain plug and tighten using adjustable wrench. Dispose of used oil properly.

7. Using oil funnel, slowly add recommended oil. Check oil level frequently with dipstick to avoid overfilling compressor pump.
8. When oil is at proper level, reinstall oil dipstick and wipe up any spilled oil.

Cleaning Unit

Keep your air compressor clean and dry by placing it in a location far away from sources of contamination. Make sure the unit is kept in a well-ventilated area. Protect hoses, connectors, quick connects, and accessories from damage.

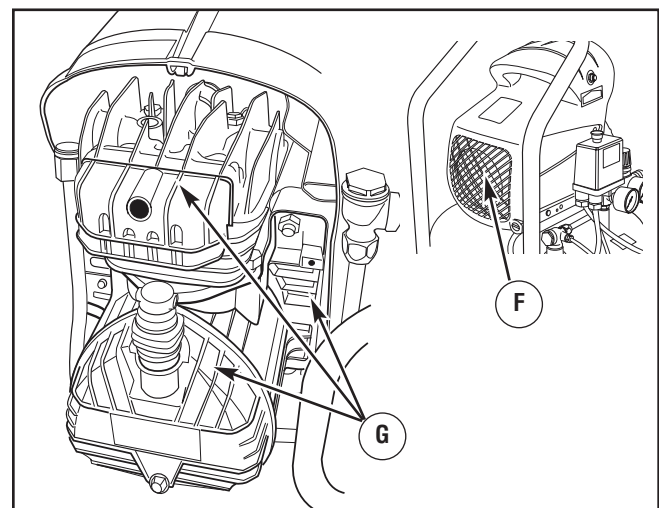
To prolong compressor life, perform these steps weekly. If the operating environment is particularly dirty, perform daily.

1. Push **ON - OFF** switch to **OFF** and unplug unit.

⚠ WARNING	
	Operating air compressor and tubing are HOT and can cause burns.
<ul style="list-style-type: none"> • DO NOT touch compressor or tubing. • Allow compressor to cool before servicing. 	

IMPORTANT: DO NOT use jets of water or flammable liquids to clean unit.

2. Use a soft cloth and a small brush for cleaning accumulated dirt and debris from the following locations:
 - Louvers on end of motor shroud (**F**) (on opposite end from oil fill location)

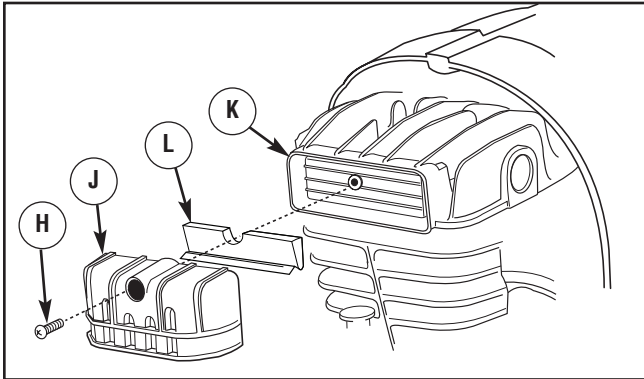


- Cooling fins (**G**) on top of air compressor pump
- Cooling fins (**G**) on sides of air compressor pump, especially between sides of pump and shroud
- Oil fill and adjacent area on air pump housing
- Oil drain on air pump housing
- Pressure control knob, gauges, quick connect fitting, and safety valve

Inspect / Clean Air Filter

Use the following steps to check and clean the compressor's internal air filter.

1. With air tank fully pressurized (**ON - OFF** switch in **ON** position and motor stopped), push **ON - OFF** switch to **OFF** position. Disconnect power cord from outlet.
2. Use phillips screwdriver to remove screw (**H**) holding air filter cover (**J**) on compressor housing (**K**). Remove air filter cover.



3. Remove air filter media (**L**).

IMPORTANT: DO NOT operate compressor with air filter media removed.

WARNING



Compressed air stream from hose or tank drain can cause soft tissue damage to exposed skin and can propel objects leading to severe injury and / or property damage.

- DO NOT direct air stream at self or others.
- Always wear ANSI Z87.1 approved safety glasses with side shields.

4. If dirty, use compressed air to dislodge dirt from air filter media. Also, blow debris out of air filter cover and compressor filter housing.

NOTE: DO NOT use liquid solvents to clean filter media.

5. Replace air filter media in compressor filter housing.
6. Position air filter cover over air filter media. Use phillips screwdriver to secure cover with screw.

NOTE: Replace air filter media if it is extremely dirty.

Inspect Safety Labels

As often as desired or at least yearly, inspect all labels applied to the air compressor. All safety labels should be present and readable. If any safety label is missing or illegible, obtain a replacement from an authorized service center or call the air compressor helpline at **(800) 743-4115**.

Storage

Before you store your air compressor, make sure you perform the following:

1. Review *Maintenance* and perform scheduled maintenance as necessary.
2. Push **ON - OFF** switch to **OFF** and unplug unit.
3. Turn pressure control knob counterclockwise until knob turns freely. Be careful not to unscrew the knob all the way.
4. Remove air tool or accessory.

WARNING



Compressed air stream from hose or tank drain can cause soft tissue damage to exposed skin and can propel objects leading to severe injury and / or property damage.

- DO NOT direct air stream at self or others.
- Always wear ANSI Z87.1 approved safety glasses with side shields.

5. Pull ring on safety valve and drain air from air tank to reduce air pressure. Release safety valve ring.
6. Drain remaining air and water from tank by opening drain valve fully counterclockwise.
7. Rock unit forward and back to agitate water as it drains to obtain a more thorough emptying action.
8. After water has been drained, close drain valve fully clockwise.
9. Protect electrical cord and air hose from damage (such as being stepped on or driven over).
10. Store air compressor in clean, dry, indoor location.

Troubleshooting

Before You Call

If you have any problems with the operation of your air compressor, please call the air compressor helpline at **(800) 743-4115**. If calling for assistance, please have the model, revision, and serial number information printed on the data tag available.

PROBLEM	CAUSE	CORRECTION
Excessive tank pressure - Safety Valve pops off.	Pressure switch does not shut off motor when compressor reaches “cut-out” pressure or “cut-off” setting too high.	Move ON - OFF switch to OFF position. Contact trained service technician.
Air losses	<ol style="list-style-type: none"> 1. Quick connect fitting cracked or loose. 2. Check valve seat dirty or damaged. 3. Defective pressure switch release valve. 4. Defective air tank. 5. Leaking seal. 6. Damaged regulator. 	<ol style="list-style-type: none"> 1. Tighten quick connect fittings where air can be heard escaping. Replace fittings. 2. Contact trained service technician. 3. Contact trained service technician. 4. Air tank must be replaced. DO NOT REPAIR TANK. 5. Contact trained service technician. 6. Contact trained service technician.
Knocking noise	Safety valve dirty or defective.	Operate safety valve manually by pulling on ring. If valve still leaks, have it replaced at an authorized service center.

PROBLEM	CAUSE	CORRECTION
<p>Compressor is not supplying enough air to operate accessories.</p>	<ol style="list-style-type: none"> 1. Prolonged excessive use of air. 2. Compressor is not large enough for air requirement. 3. Hole in hose. 4. Check valve restricted or leaks air. 5. Restricted air intake filter. 	<ol style="list-style-type: none"> 1. Decrease amount of air used. 2. Check the accessory requirement. If it is higher than the CFM or pressure supplied by your air compressor, you need a larger capacity air compressor. 3. Inspect and replace if required. 4. Contact trained service technician. 5. Clean or replace air intake filter.
<p>Motor will not run.</p>	<ol style="list-style-type: none"> 1. Motor overload protector switch has tripped. 2. Tank pressure exceeds pressure switch “cut-in” pressure. 3. Loose electrical connections. 4. Possible defective motor or starting capacitor. 5. Pressure release valve on pressure switch has not unloaded head pressure. 6. Fuse blown, circuit breaker tripped. 	<ol style="list-style-type: none"> 1. Let motor cool for 15 minutes. Press RESET to reset overload protector switch. 2. Motor will start automatically when tank pressure drops below “cut-in” pressure setting. 3. Contact trained service technician. 4. Contact trained service technician. 5. Drain pressure by setting ON - OFF switch to OFF. If the pressure release valve does not open, contact trained service technician. 6A. Check fuse box for blown fuse and replace as necessary. Reset circuit breaker. DO NOT use a fuse or circuit breaker with higher rating than that specified for that branch circuit. B. Check for proper fuse. Use a time delay fuse. C. Check for low voltage conditions and/or proper extension cord. D. Disconnect all other electrical loads from circuit used by air compressor OR operate air compressor on dedicated branch circuit. Contact trained service technician.

Glossary

Becoming familiar with these terms will help you understand and operate most air compressors:

Air Delivery – A combination of psi and CFM. The air delivery required by a tool or accessory is stated as “‘number’ (S)CFM at ‘number’ psi”. For example “4.9 CFM at 90 psi”. The combination of these values dictates the required air compressor capacity.

Air Tank Capacity – The volume of air stored in the tank and available for immediate use.

Alternating Current (AC) - Voltage that increases to a maximum positive value (+) and falls back to zero and then continues to a maximum negative value (-) and back to zero. This cycle is repeated 60 times each second for 60 hertz AC power.

ASME Certified - Indicates that the pressure vessel (air tank) and related components are manufactured, tested, and inspected to the specifications set by the American Society of Mechanical Engineers.

ASME Safety Valve - A protection device that automatically releases tank air if the air contained within exceeds a preset maximum rating.

Cast Iron Sleeve - A thin iron cylinder cast into the cylinder head, producing a harder surface between the aluminum cylinder walls and steel piston rings, thus extending the life of the compressor.

CFM or **SCFM** (Standard Cubic Feet per Minute). SCFM is the volume of air, in cubic feet, that the compressor can pump in one minute at a specific working pressure. The term CFM is used in this manual.

Circuit Breaker - A thermal switch that opens a circuit if too much current is passing through it. The air compressor motor is protected by this resettable device.

Cut-In Pressure – As air is taken from the air tank, the tank air pressure drops. At a certain low level, the Pressure Switch senses this low pressure and turns-on the compressor motor, thus refilling the air tank. The level at which the motor switches ON is called the Cut-In Pressure.

Cut-Out Pressure – While the compressor is running, air is being produced and stored in the air tank. If no air is being used, air pressure will build in the tank. The Pressure Switch senses this high pressure and at a certain high level, it turns the compressor motor off. The level at which the motor switches OFF is called the Cut-Out Pressure.

Duplex Receptacle - Two 120 volt AC receptacles that are tied together. Similar to common household outlets.

GFCI - Ground fault current interrupter. A device that will sense current flow in the milliamp range in a power circuit to ground conductor and activate a relay to open both line conductors.

Ground - A connection, either intentional or accidental, between an electric circuit and the earth or some conducting body serving in place of the earth.

Pressure Control – Often called a regulator, this device is used to adjust the air compressor’s pressure output. The Pressure Control is adjusted to supply the psi value required by certain air tools, as monitored on the Outlet Pressure Gauge.

psi - pounds per square inch. The measure of air pressure delivered by the air compressor system.

Single Stage - Single stage refers to an air compressor with one or more cylinders that take air in each cylinder at the down stroke and compresses the air into the air tank on the up stroke.

Tank Pressure Gauge – A device used to indicate the air pressure contained in the air tank, in psi

Two Stage - A two-stage compressor always has a minimum of two cylinders - a low pressure (LP) cylinder (largest) and an high pressure (HP) cylinder (smallest). As the LP piston goes downward, air is taken in at atmospheric pressure; on the upward stroke the LP piston discharges the air through an intercooler and into the HP cylinder on its downward stroke. On the upward stroke of the HP piston the air is discharged into the air tank. Two-stage compressors are recommended when tool usage is continuous.

Vibration Isolators – When installed, are designed to minimize vibrations produced by the air compressor.

BRIGGS & STRATTON POWER PRODUCTS GROUP, LLC AIR COMPRESSOR OWNER WARRANTY POLICY

Effective July 1, 2007 replaces all undated Warranties and all Warranties dated before July 1, 2007

LIMITED WARRANTY

Briggs & Stratton Power Products Group, LLC will repair or replace, free of charge, any part(s) of the air compressor that is defective in material or workmanship or both. Transportation charges on product submitted for repair or replacement under this warranty must be borne by purchaser. This warranty is effective for the time periods and subject to the conditions stated below. For warranty service, find the nearest Authorized Service Dealer in our dealer locator map at BRIGGSandSTRATTON.COM.

THERE IS NO OTHER EXPRESS WARRANTY. IMPLIED WARRANTIES, INCLUDING THOSE OF MERCHANTABILITY AND FITNESS FOR A PARTICULAR PURPOSE, ARE LIMITED TO ONE YEAR FROM PURCHASE, OR TO THE EXTENT PERMITTED BY LAW. ANY AND ALL IMPLIED WARRANTIES ARE EXCLUDED. LIABILITY FOR INCIDENTAL OR CONSEQUENTIAL DAMAGES ARE EXCLUDED TO THE EXTENT EXCLUSION IS PERMITTED BY LAW. Some states or countries do not allow limitations on how long an implied warranty lasts, and some states or countries do not allow the exclusion or limitation of incidental or consequential damages, so the above limitation and exclusion may not apply to you. This warranty gives you specific legal rights and you may also have other rights which vary from state to state or country to country.

WARRANTY PERIOD

Consumer Use 2 years

Commercial Use 2 years

The warranty period begins on the date of purchase by the first retail consumer or commercial end user, and continues for the period of time stated above. "Consumer use" means personal residential household use by a retail consumer. "Commercial use" means all other uses, including use for commercial, income producing or rental purposes. Once equipment has experienced commercial use, it shall thereafter be considered as commercial use for purposes of this warranty.

NO WARRANTY REGISTRATION IS NECESSARY TO OBTAIN WARRANTY ON BRIGGS & STRATTON PRODUCTS. SAVE YOUR PROOF OF PURCHASE RECEIPT. IF YOU DO NOT PROVIDE PROOF OF THE INITIAL PURCHASE DATE AT THE TIME WARRANTY SERVICE IS REQUESTED, THE MANUFACTURING DATE OF THE PRODUCT WILL BE USED TO DETERMINE THE WARRANTY PERIOD.

ABOUT YOUR WARRANTY

We welcome warranty repair and apologize to you for being inconvenienced. Any Authorized Service Dealer may perform warranty repairs. Most warranty repairs are handled routinely, but sometimes requests for warranty service may not be appropriate. For example, warranty service would not apply if equipment damage occurred because of misuse, lack of routine maintenance, shipping, handling, warehousing or improper installation. Similarly, the warranty is void if the manufacturing date or the serial number on the air compressor has been removed or the equipment has been altered or modified. During the warranty period, the Authorized Service Dealer, at its option, will repair or replace any part that, upon examination, is found to be defective under normal use and service. This warranty will not cover the following repairs and equipment:

- **Normal Wear:** Outdoor Power Equipment, like all mechanical devices, needs periodic parts and service to perform well. This warranty does not cover repair when normal use has exhausted the life of a part or the equipment.
- **Installation and Maintenance:** This warranty does not apply to equipment or parts that have been subjected to improper or unauthorized installation or alteration and modification, misuse, negligence, accident, overloading, overspeeding, improper maintenance, repair or storage so as, in our judgment, to adversely affect its performance and reliability. This warranty also does not cover normal maintenance such as air filters, adjustments, and so forth.
- **Other Exclusions:** This warranty excludes wear items such as seals and o-rings, etc. This warranty also excludes air compressors that have been run without oil or subjected to freezing with water in the tank(s). This air compressor is warranted for non-continuous use and should not be subjected to continuous operation. Accessory parts, such as hoses or air tools not supplied with the compressor are excluded from the product warranty. This warranty excludes failures due to acts of God and other force majeure events beyond the manufacturers control. 203939E, Rev. -, 7/1/2007

BRIGGS & STRATTON POWER PRODUCTS GROUP, LLC
JEFFERSON, WI, USA



PRO SERIES

Air Compressor

Product Specifications

AC Frequency: 60Hz
Rated AC Voltage: 120 Volts, single phase
Pump Type: Oil Lubricated Direct Drive
Lubricant: SAE 5W50 or 85W140 Synthetic
Oil Capacity: 7.168 oz. (200ml)
Air Delivery:
 At 40 psi 4.9 CFM
 At 90 psi 3.6 CFM
Cut-In Pressure Setting: 90 psi (6.2 bars)
Cut/Out Pressure Setting: 125 PSI (8.7 bars)
Tank Capacity: 6 Gallons (22.5 L)
Tank Style: Flat, single (Pancake)
Recommended Air Hose Size: 3/8 inch ID (14mm)
Air Fittings: 1/4 inch NPT
Quick Connect Fitting Type: I/M
Operating Temperature Range: 32° to 95°F (0° to + 35°C)
Shipping Weight: 60lbs. (27.3 Kg)

Common Service Parts

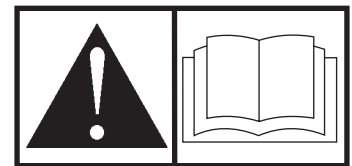
Air Cleaner 200697GS

Briggs & Stratton Power Products Group, LLC
900 N. Parkway
Jefferson, Wisconsin, 53549 U.S.A.



PROSERIES

Compresor de aire Manual del Operario



BRIGGS & STRATTON POWER PRODUCTS GROUP, LLC
JEFFERSON, WISCONSIN, U.S.A.

Muchas gracias por comprar este compresor de aire Briggs & Stratton de gran calidad. Nos alegra que haya depositado su confianza en la marca Briggs & Stratton. Siempre que sea utilizado de acuerdo con las instrucciones de este manual, su compresor de aire Briggs & Stratton le proporcionará muchos años de buen funcionamiento.

Este manual contiene información de seguridad sobre los riesgos asociados con las compresores de aire y sobre cómo evitarlos. Este compresor de aire se ha diseñado para suministrar un volumen de aire comprimido que permite utilizar una variedad de herramientas neumáticas ligeras (molinillos manuales o trinquetes), equipos de pulverización e infladores que necesiten un caudal de aire inferior a 4,9 CFM. Es importante leer detenidamente y comprender estas instrucciones antes de poner en marcha o utilizar el equipo. **Conserve este manual para futuras consultas.**

Este compresor de aire requiere montaje final antes de ser usado. Consulte la sección *Montaje* de este manual, donde encontrará instrucciones para el montaje final. Siga las instrucciones al pie de la letra.

Dónde encontrarnos

Usted no tendrá que ir muy lejos para encontrar el servicio técnico de Briggs & Stratton para su compresor de aire. Consulte las Páginas Amarillas. Hay más de 30.000 proveedores de Briggs & Stratton autorizados en todo el mundo, proporcionando un servicio de calidad. También puede ponerse en contacto con Atención al Cliente de Briggs & Stratton llamando al **(800) 743-4115** o por Internet en BRIGGSandSTRATTON.COM.

Compresor de aire

Número de Modelo

--	--	--	--	--	--	--

Revisión

--	--

Número de Serie

--	--	--	--	--	--	--	--	--	--	--

Fecha de compra

--	--	--	--	--	--

Briggs & Stratton Power Products Group, LLC.
900 North Parkway
Jefferson, WI 53549

Copyright © 2007 Briggs & Stratton Power Products Group, LLC. Reservados todos los derechos. Queda prohibida la reproducción o transmisión total o parcial de este material, sea cual sea la forma y el medio empleados para ello, sin el permiso previo y por escrito de Briggs & Stratton Power Products Group, LLC.

Tabla de Contenido

Seguridad de Operario	4
Descripción del equipo	4
Reglas de seguridad	4
Montaje	7
Desembalaje de la compresor de aire	7
Añadir aceite	7
Características y mandos	8
Operando	9
Colocación del compresor	9
Instrucciones de conexión a tierra	9
Procedimiento de preparación para el uso inicial	9
Puesta en marcha del compresor de aire	10
Parada del compresor de aire	10
Cables prolongadores	10
Uso del compresor	11
Rearme de la protección contra sobrecarga	11
Mantenimiento	12
Plan de mantenimiento	12
Inspeccione la válvula de seguridad	12
Inspeccione la válvula de vaciado del depósito	12
Aceite de la bomba	13
Limpieza de la unidad	13
Inspeccione / limpie el filtro de aire	14
Inspeccione las etiquetas de seguridad	14
Almacenamiento	14
Resolución de Problemas	15
Antes de llamar	15
Glosario	17
Garantía	18
Especificaciones	20
Especificaciones del producto	20
Servicio común despide	20

Seguridad

Montaje

Controles

Utilización

Mantenimiento

Problemas

Garantía

Seguridad de Operario

Descripción del equipo



Lea atentamente este manual y familiarícese con la compresor de aire. Conozca sus aplicaciones, limitaciones y riesgos.

Este manual contiene información de uso y mantenimiento de un compresor de aire de doble depósito que genera 4,9 CFM a 40 PSI (2,8 bar) y 3,6 CFM a 90 PSI (6,2 bar) con un motor eléctrico de 120 V CA. Es un sistema de alta calidad para uso doméstico que incluye una bomba de accionamiento directo lubricada por aceite con carcasa de fundición, una válvula de arranque progresivo, dos salidas de aire y un dispositivo de protección contra sobrecarga del motor con rearmado manual.

Este compresor de aire se ha diseñado para suministrar un volumen de aire comprimido que permite utilizar una variedad de herramientas neumáticas ligeras (molinillos manuales o trinquetes), equipos de pulverización e infladores que necesiten un caudal de aire inferior a 4,9 CFM. No utilice la unidad si la temperatura ambiente no es de entre 0°C y 35°C (32°F y 95°F). El compresor se ha diseñado para funcionar a plena carga un máximo del 70% de cada hora.

Se ha realizado el máximo esfuerzo para reunir en este manual la información más precisa y actualizada. No obstante, nos reservamos el derecho de modificar, alterar o mejorar de cualquier otra forma el producto y este documento en cualquier momento y sin previo aviso.

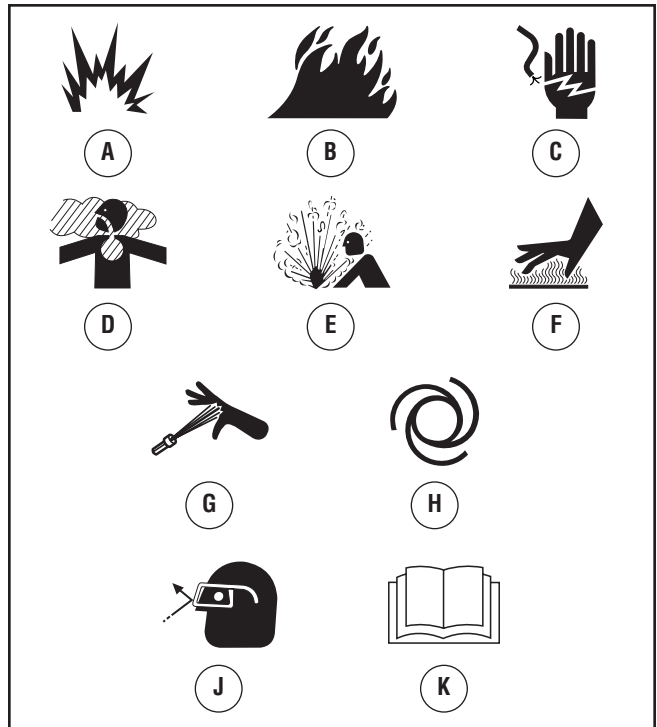
Reglas de seguridad



Éste es el símbolo de alerta de seguridad. Sirve para advertir al usuario de un posible riesgo para su integridad física. Siga todos los mensajes de seguridad que figuren después de este símbolo para evitar lesiones o incluso la muerte.

El símbolo de alerta de seguridad (▲) se utiliza con una palabra de señalización (**PELIGRO**, **PRECAUCIÓN**, **ADVERTENCIA**), una imagen y/o un mensaje de seguridad para advertir al usuario de un riesgo. **PELIGRO** indica un riesgo que, de no evitarse, provocará la muerte o lesiones de gravedad. **ADVERTENCIA** indica un riesgo que, de no evitarse, puede provocar la muerte o lesiones de gravedad. **PRECAUCIÓN** indica un riesgo que, de no evitarse, puede provocar lesiones moderadas. **AVISO** indica una situación que podría producir daños en el equipo. Siga en todo momento los mensajes de seguridad para evitar o reducir el riesgo de lesiones y de muerte.

Símbolos de peligro y sus significados



A - Explosión

B - Fuego

C - Descarga Eléctrica

D - Gases Tóxicos

E - Aire comprimido

F - Superficie Caliente



G - Inyección de aire



H - Arranque automático

J - Objetos propulsados

K - Manual del Operario

 ADVERTENCIA	
	Si no se leen y siguen las instrucciones del manual, se pueden producir daños materiales, lesiones o incluso la muerte.
<ul style="list-style-type: none"> • Antes de utilizar el producto, lea este Manual del Operario y siga las normas de seguridad y las instrucciones de uso que se indican. • Este manual debe estar a la disposición de todos los usuarios que utilicen el equipo. 	

 ADVERTENCIA	
	<p>El contacto con el compresor o con su cable puede provocar descargas eléctricas y quemaduras.</p> <p>Una conexión a tierra inapropiada puede provocar descargas eléctricas.</p> <p>El contacto con los componentes situados bajo la tapa de protección puede provocar descargas eléctricas y quemaduras.</p>
<ul style="list-style-type: none"> • NO utilice adaptadores de conexión a tierra. Examine el cable antes de cada uso. • NO utilice la unidad sin sus tapas/guardas de protección o si éstas presentan daños. • NO utilice la unidad en condiciones de humedad. Almacene la unidad en un espacio interior. • Desconecte la unidad de la fuente de energía eléctrica y elimine la presión del depósito cuando no esté en uso y antes de iniciar cualquier actividad de mantenimiento o reparación. • NO modifique el enchufe. Si no encaja con la toma disponible, solicite a un electricista cualificado que instale una toma adecuada. • Si es necesario reparar el cable o el enchufe, las operaciones las DEBE realizar un electricista cualificado. 	

 ADVERTENCIA	
	<p>La corrosión interna y oculta del tanque puede provocar una explosión violenta con el resultado de lesiones y/o daños materiales de gravedad.</p> <p>Si se supera la presión nominal de los acoplamientos o los elementos inflables, se pueden producir lesiones y/o daños materiales de gravedad.</p> <p>La manipulación o retirada de la válvula de seguridad ASME puede provocar una explosión con el resultado de lesiones y/o daños materiales de gravedad.</p>
<ul style="list-style-type: none"> • VACÍE EL DEPÓSITO cada 4 horas de uso o una vez al día. Para ello, abra los grifos de vaciado e incline el compresor hasta eliminar el agua acumulada. • NO haga ninguna modificación ni reparación del depósito. • NO aplique una presión superior al límite nominal de los acoplamientos y elementos inflables. • NO manipule ni retire la válvula de seguridad ASME. Compruebe la válvula de seguridad ASME tirando de su anillo antes de cada uso. La válvula de seguridad ASME se ha ajustado al taraje de máxima seguridad. 	

 ADVERTENCIA	
	La pulverización de líquidos inflamables o combustibles puede provocar fuego o una explosión.
	Cuando está en funcionamiento, el compresor produce chispas que pueden inflamar los vapores inflamables o combustibles.
<ul style="list-style-type: none"> • NO pulverice líquidos inflamables o combustibles si fuma, en espacios cerrados ni cerca de chispas, llamas, indicadores luminosos u otras fuentes de ignición. • Pulverice en una zona abierta y bien ventilada, a una distancia mínima de 6.1 m (20 pies) del compresor y de otras fuentes de ignición. 	

⚠ ADVERTENCIA

El aire comprimido no es respirable y puede provocar lesiones.
La inhalación o digestión de algunos disolventes y pinturas puede provocar náuseas, desmayos o envenenamientos.

- NO utilice aire comprimido para respirar.
- Utilice siempre un respirador NIOSH homologado para su aplicación cuando pulverice líquidos.
- Lea todas las instrucciones del respirador para comprobar si proporciona toda la protección necesaria para la inhalación de vapores nocivos.

⚠ ADVERTENCIA

Cuando está en funcionamiento, el compresor y sus tuberías están **CALIENTES** y pueden provocar quemaduras.

- NO toque el compresor ni sus tuberías.
- Deje enfriar el compresor antes de cualquier operación de mantenimiento o reparación.

⚠ ADVERTENCIA

Una vez conectado, el compresor puede arrancar en cualquier momento.

- **MANTÉNGASE ALEJADO**
- Desconecte la unidad de la fuente de energía eléctrica y elimine la presión del depósito cuando no esté en uso y antes de iniciar cualquier actividad de mantenimiento o reparación.

⚠ ADVERTENCIA

La corriente de aire comprimido procedente de la manguera o del punto de vaciado del depósito puede provocar lesiones de los tejidos blandos en las partes expuestas de la piel y propulsar objetos, con el resultado de lesiones y/o daños materiales de gravedad.

- NO dirija la corriente de aire hacia usted mismo ni hacia otras personas.
- NO intente reparar las mangueras de aire.
- Utilice siempre gafas de seguridad con homologación ANSI Z87.1 y protecciones laterales.

AVISO

Si no se siguen al pie de la letra las instrucciones de uso inicial, la unidad puede sufrir daños graves.

- Este procedimiento se debe realizar antes de poner el compresor en servicio y siempre que se cambie la válvula de retención o el conjunto de la bomba del compresor.

AVISO

La unidad puede sufrir daños graves si se utiliza con una cantidad insuficiente de aceite. Compruebe el nivel de aceite cada día o en cada uso.

- La garantía quedará anulada si se producen daños como consecuencia del incumplimiento de estas instrucciones.

Montaje

Desembalaje de la compresor de aire

1. Saque de la caja los accesorios y el material de embalaje.
2. Eleve la unidad para extraerla de la caja.

La caja incluye los siguientes elementos:

- Compresor de aire
- Manual del operario
- Botella de aceite para la bomba del compresor
- Varilla de nivel de aceite

Si alguna de estas piezas falta o está dañada, llame a la línea de asistencia **(800) 743-4115**.

También se recomienda utilizar:

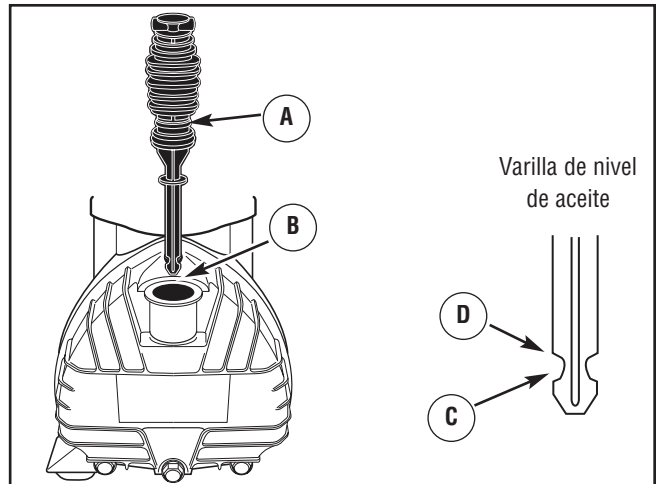
- Gafas de seguridad (con homologación ANSI Z87.1 y protecciones laterales)
- Manguera de aire - 7,6 m (25 pies) y 14 mm (3/8") de diámetro
- Acoplamientos para conector rápido – Utilice acoplamientos para conector rápido de tipo I/M que puedan conectarse a una rosca NPT de 1/4 de pulgada
- Protección para los oídos (ANSI S3.19-1974) en entornos ruidosos
- Respirador (homologación NIOSH) en entornos manche
- Embudo para aceite

El compresor estará preparado para funcionar una vez que:

se haya llenado con el aceite suministrado,
se haya conectado a una fuente de energía eléctrica adecuada,
se haya completado el procedimiento de preparación para el uso inicial.

Añadir aceite

1. Coloque el compresor en una superficie plana y nivelada.
2. Quite y deseche el tapón de transporte. Con la ayuda de un embudo, llene lentamente la bomba con aceite hasta la muesca de la varilla de nivel.



3. Inserte hasta el fondo la varilla de nivel (A) en el orificio de llenado de aceite (B).
4. Extraiga lentamente la varilla y compruebe si el nivel de aceite es correcto (C).

AVISO

La unidad puede sufrir daños graves si se utiliza con una cantidad insuficiente de aceite. Compruebe el nivel de aceite cada día o en cada uso.

- La garantía quedará anulada si se producen daños como consecuencia del incumplimiento de estas instrucciones.

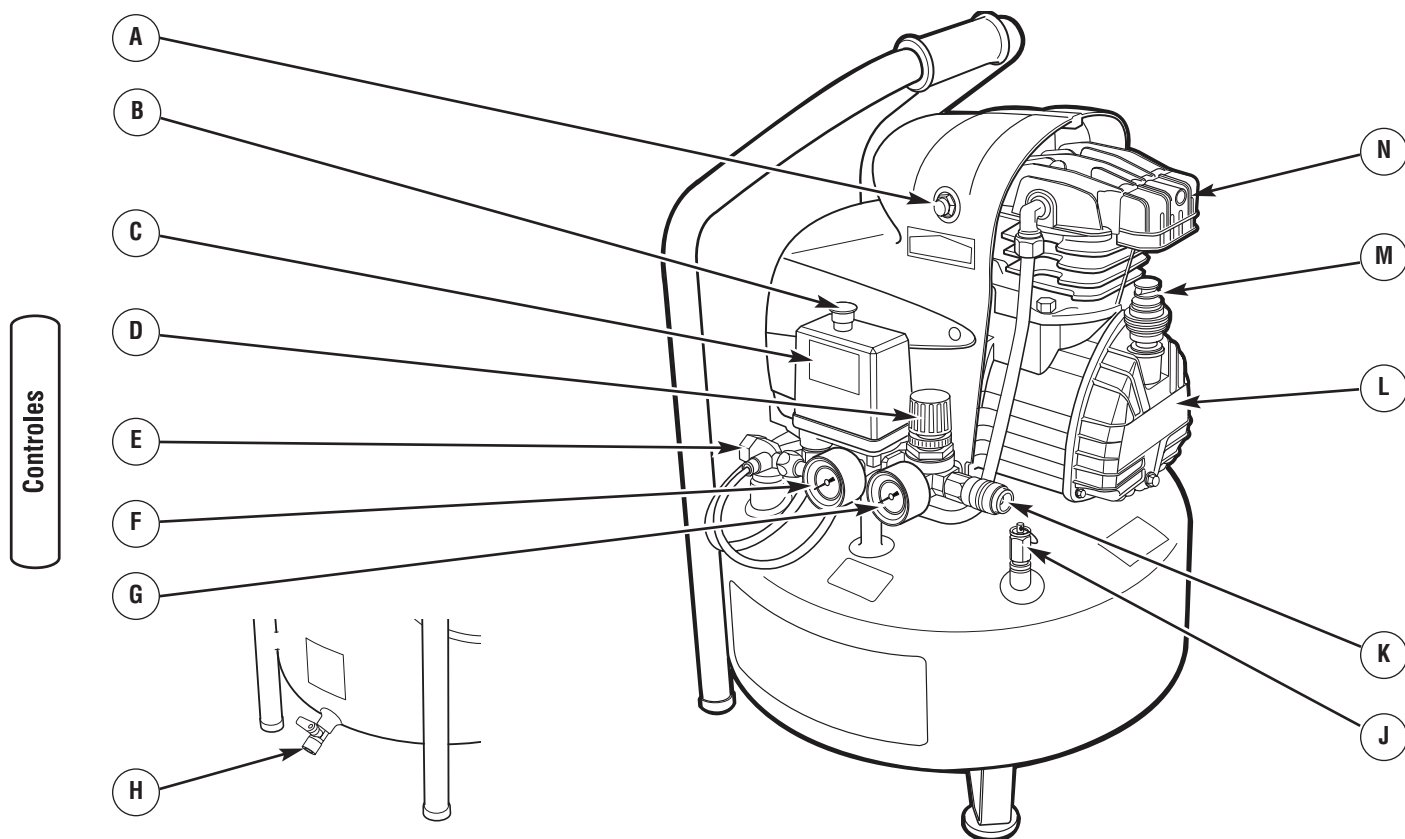
5. Si es insuficiente, añada el aceite recomendado hasta llegar al nivel correcto. Si el nivel supera el máximo (D), elimine el exceso como se indica en la sección *Aceite de la bomba*.
6. Vuelva a instalar la varilla de nivel de aceite

Características y mandos



Lea el Manual del Operario y las reglas de seguridad antes de poner en marcha su máquina compresor de aire.

Compare las ilustraciones con su máquina compresor de aire para familiarizarse con las ubicaciones de los diferentes controles y ajustes. Guarde este manual para referencias futuras.



A - Protector contra sobrecarga — Si el motor se recalienta, el protector contra sobrecarga lo apaga. Consulte *Rearme de la protección contra sobrecarga*.

B - Interruptor ON - OFF — Sitúe el interruptor en la posición ON (pulsado) para conectar el compresor de aire. Sitúe en la posición OFF (levantado) para desconectarlo.

C - Presostato — Arranca automáticamente el motor cuando la presión del depósito cae por debajo de la presión de “arranque” y lo detiene cuando alcanza la presión de “parada”.

D - Control de presión — El Regulador controla la presión de aire que se entrega a los acoplamiento para conector rápido; se puede sujetar con una arandela de retención.

E - Válvula de retención — Cuando la unidad está en funcionamiento, la válvula de retención está abierta para permitir la entrada de aire en el depósito. Cuando se alcanza la presión de “corte”, la válvula de retención se cierra e impide que el aire vuelva a la bomba. El usuario no puede reparar la válvula.

F - Manómetro del depósito — El manómetro indica la presión de aire de los depósito.

G - Manómetro de salida — Indica la presión de aire en los acoplamiento para conector rápido.

H - Válvula de vaciado — La válvula están situadas cerca del fondo de cada depósito de aire y se utilizan para drenar la condensación.

J - Válvula de seguridad — La válvula protege contra el exceso de presión del tanque ‘saltando’ para liberar presión en caso de que se alcance el valor determinado en fábrica.

K - Acoplamiento para conector rápido — Permiten conectar herramientas neumáticas.

L - Bomba del compresor de aire — La bomba comprime el aire en los depósitos.

M - Punto de llenado de aceite — La varilla de nivel de aceite indica el nivel de aceite de la bomba.

N - Filtro de aire — Protege el compresor de aire filtrando el polvo y los residuos del aire de admisión.

No mostrado:

Etiqueta de datos — Indica los números de modelo, revisión y serie de la compresor de aire. Tenga esta información preparada si llama al servicio técnico.

Válvula de descarga de presión — Situada en la parte superior del depósito, junto al acoplamiento para conector rápido, la válvula libera automáticamente aire del compresor y del tubo de salida cuando se alcanza la presión de “corte” o cuando se desconecta la unidad. El usuario no puede reparar la válvula.

NOTA: Consulte las definiciones en el *Glosario*.

Operando

Colocación del compresor

Coloque el compresor de aire en una zona limpia, seca y bien ventilada. El compresor de aire debe estar a una distancia mínima de 30 cm (12 pulgadas) de paredes u otros obstáculos que puedan dificultar la circulación de aire.



La bomba y la cubierta del compresor de aire están diseñadas para una refrigeración correcta. Las aberturas de ventilación del compresor son necesarias para mantener una temperatura adecuada. NO coloque trapos ni contenedores sobre las aberturas o cerca de las mismas. El filtro de aire debe estar libre de toda obstrucción que reduzca el flujo de aire hacia el compresor.

Cuando utilice el compresor de aire, sitúelo en una superficie plana para asegurar su correcta lubricación.

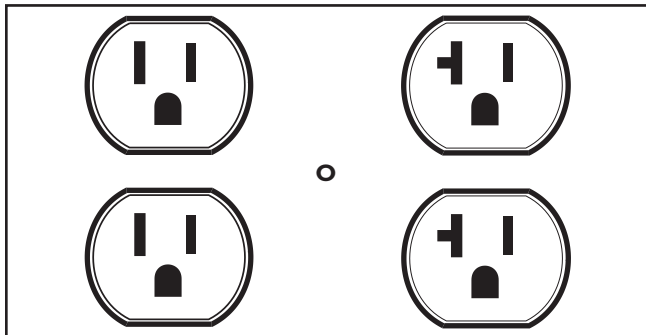
Si tiene algún problema con el funcionamiento del compresor de aire, llame a la línea de asistencia **(800) 743-4115**. Tenga preparados los números de modelo, revisión y serie, que figuran en la etiqueta de datos.

Instrucciones de conexión a tierra

1. El cable y el enchufe que se entregan con la unidad contienen una clavija de conexión a tierra. El enchufe se DEBE insertar en una toma con conexión a tierra.

 ADVERTENCIA	
	Una conexión a tierra inapropiada puede provocar descargas eléctricas.
<ul style="list-style-type: none">• NO utilice adaptadores de conexión a tierra.• NO modifique el enchufe. Si no encaja con la toma disponible, solicite a un electricista cualificado que instale una toma adecuada.• Si es necesario reparar el cable o el enchufe, las operaciones las DEBE realizar un electricista cualificado.	

2. Asegúrese de que la toma empleada tiene la misma configuración que el enchufe del compresor de aire. NO UTILICE UN ADAPTADOR DE CONEXIÓN A TIERRA!



3. Examine el cable y el enchufe antes de cada uso. NO utilice el compresor si presenta signos de deterioro.

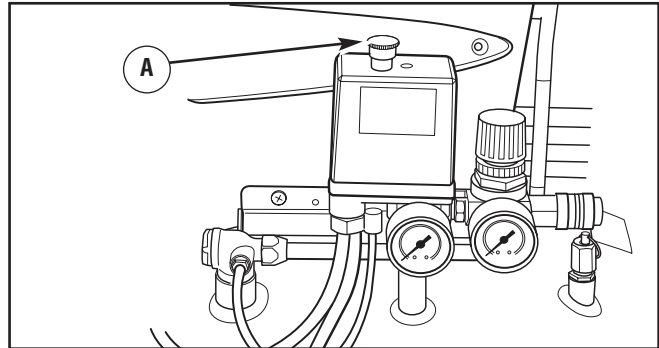
IMPORTANTE: Si no comprende perfectamente estas instrucciones de conexión a tierra o si no sabe si el compresor de aire está correctamente conectado a tierra, haga revisar la instalación a un electricista cualificado.

Procedimiento de preparación para el uso inicial

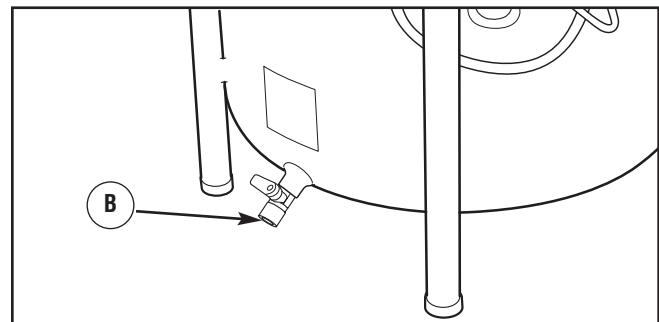
Antes del primer uso del equipo, el sistema debe prepararse tal como se describe en esta sección.

AVISO
Si no se siguen al pie de la letra las instrucciones de uso inicial, la unidad puede sufrir daños graves.
<ul style="list-style-type: none">• Este procedimiento se debe realizar antes de poner el compresor en servicio y siempre que se cambie la válvula de retención o el conjunto de la bomba del compresor.

1. Asegúrese de que el interruptor **ON - OFF** está en la posición **OFF (A)**.



2. Enchufe el cable de alimentación a una toma de 120 V CA con conexión a tierra. Consulte *Instrucciones de conexión a tierra*.
3. Abra las dos válvula de vaciado (**B**) (gire a tope hacia la izquierda) para evitar que se acumule presión de aire en el depósito durante la preparación para el uso inicial.



NOTA: Vacíe siempre el depósito de aire sobre una superficie lavable o en un contenedor adecuado para no dañar ni manchar las superficies.

4. Sitúe el interruptor **ON - OFF** en la posición **ON**. El compresor se pondrá en funcionamiento.

NOTA: Si escucha una fuga de aire, tire hacia atrás del acoplador para conector rápido hasta oír un clic a fin de rearmar la válvula del acoplador.

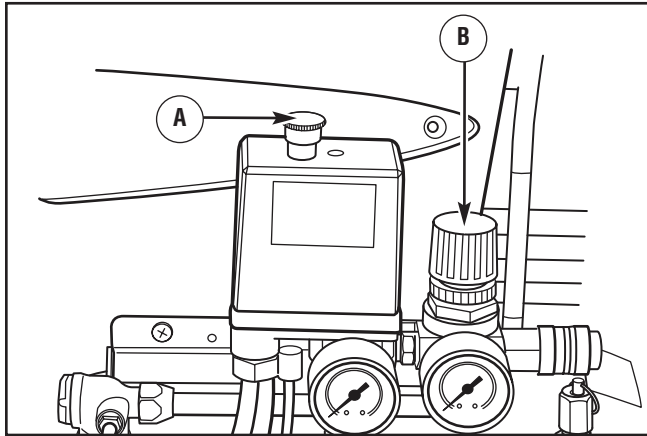
5. Deje funcionar el compresor durante 15 minutos. Asegúrese de que las dos válvula de vaciado permanecen abiertas.
6. Una vez transcurridos 15 minutos, cierre ambas válvula de vaciado (gire a tope hacia la derecha). El depósito de aire se llenará hasta alcanzar la presión de "corte" y el compresor se detendrá.

NOTA: Compruebe el nivel de aceite del compresor después de la preparación para el uso inicial.

El compresor ha completado el procedimiento está preparado para funcionar normalmente.

Puesta en marcha del compresor de aire

1. Asegúrese de que el interruptor **ON - OFF (A)** está en la posición **OFF**.



Utilización

2. Enchufe el cable de alimentación a una toma de 120 V CA con conexión a tierra.
3. Gire el pomo de control de presión (**B**) hacia la izquierda hasta no sentir ninguna resistencia.
4. Sitúe el interruptor **ON - OFF** en la posición **ON**. El compresor se pondrá en funcionamiento.

NOTA: Si el motor no se pone en marcha, consulte la sección *Diagnósticos De Averías*.

NOTA: Si escucha una fuga de aire, tire hacia atrás del acoplador para conector rápido hasta oír un clic a fin de rearmar la válvula del acoplador.

El compresor de aire es totalmente automático y se controla mediante un presostato. El compresor funcionará hasta que la presión del depósito alcance el punto de parada. El compresor volverá a funcionar cuando la presión del depósito caiga por debajo del punto de arranque. Consulte las definiciones en el *Glosario*.

NOTA: Utilice siempre el compresor en áreas bien ventiladas y libres de vapores de gasolina u otros combustibles. Si el compresor se utiliza para pulverizar productos químicos volátiles (como la pintura), sitúe el compresor a una distancia mínima de 6.1 m (20 pies) del área de pulverización.

Parada del compresor de aire

1. Sitúe el interruptor **ON - OFF** en la posición **OFF**. El motor del compresor se detendrá.
2. Si no va a utilizar más el compresor, desenchufe el cable de alimentación de la toma.
3. Tire del anillo de la válvula de seguridad para liberar la mayoría del aire comprimido del depósito. Suelte la válvula.
4. Abra la válvula de vaciado para vaciar por completo la depósito de aire.

NOTA: Vacíe siempre el depósito de aire sobre una superficie lavable o en un contenedor adecuado para no dañar ni manchar las superficies.

NOTA: El compresor genera agua de condensación (condensado) que se acumula en la depósito. Vacíe el agua cada 4 horas o una vez al día.

5. Cierre la válvula de vaciado.

Cables prolongadores

NOTA: No utilice cables prolongadores!

El compresor de aire debe colocarse en un lugar desde el que pueda enchufarse directamente a una toma de muro con conexión a tierra. **NO** utilice un cable prolongador a menos que sea imprescindible. En lugar de ello, aumente el alcance de la manguera de aire conectando una o varias mangueras prolongadoras.

Si no se puede evitar el uso de un cable prolongador, siga estas instrucciones:


- Utilice sólo cable prolongador de 3 hilos con un enchufe con conexión a tierra de 3 clavijas y en una toma de 3 ranuras que admita el enchufe del compresor de aire.
- Asegúrese de que el cable está en buen estado.
- Cuando el compresor se utilice a la intemperie, utilice cables prolongadores aptos para uso en exteriores.
- Tenga en cuenta los siguientes límites de longitud:

<u>Distancia necesaria</u>	<u>Calibre recomendado</u>
Inferior a 7,5 m (25 pies)12 AWG
7,5 a 15 m (25 a 50 pies)10 AWG
Superior a 15 m (50 pies)No se recomienda

Uso del compresor

No es necesario utilizar en todo momento la máxima presión de trabajo, ya que las herramientas neumáticas suelen necesitar una presión inferior. Las instrucciones siguientes explican cómo ajustar la presión.

1. Con el compresor de aire conectado a una fuente de energía eléctrica adecuada y encendido, conecte la herramienta neumática o el accesorio a los acopladores para conector rápido. Utilice las mangueras y los acoplamiento recomendados.
2. Active la herramienta neumática y gire el pomo de control de presión hacia la derecha para aumentar la presión de salida.

⚠ ADVERTENCIA	
	Si se supera la presión nominal de los acoplamientos o los elementos inflables, se pueden producir lesiones y/o daños materiales de gravedad.
<ul style="list-style-type: none"> • NO aplique una presión superior al límite nominal de los acoplamientos y elementos inflables. 	

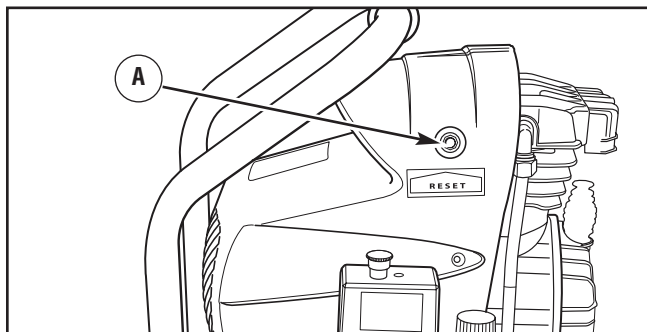
3. Observe el manómetro de salida y ajuste la presión al valor recomendado para la herramienta.

NOTA: Debe ajustar la presión regulada con la herramienta activada o en funcionamiento.

4. Utilice una arandela de retención en el pomo regulador de presión para bloquear el ajuste de presión seleccionado.
5. Para evitar problemas de lubricación, utilice siempre la unidad en una superficie nivelada.

Rearme de la protección contra sobrecarga

El compresor dispone de una función de protección contra sobrecarga que protege el motor en caso de recalentamiento. Si el motor del compresor se recalienta y hace saltar este interruptor, deje enfriar el motor durante 15 minutos y pulse después el botón Reset (Rearme) (A) situado en la cubierta del motor.



Para obtener más información, consulte también la sección *Diagnósticos de Averías*.

Adopte las siguientes precauciones de seguridad cuando utilice el compresor de aire:

⚠ ADVERTENCIA	
	Una vez conectado, el compresor puede arrancar en cualquier momento.
<ul style="list-style-type: none"> • MANTÉNGASE ALEJADO • Desconecte la unidad de la fuente de energía eléctrica y elimine la presión del depósito cuando no esté en uso y antes de iniciar cualquier actividad de mantenimiento o reparación. 	

⚠ ADVERTENCIA	
	La corriente de aire comprimido procedente de la manguera o del punto de vaciado del depósito puede provocar lesiones de los tejidos blandos en las partes expuestas de la piel y propulsar objetos, con el resultado de lesiones y/o daños materiales de gravedad.
	<ul style="list-style-type: none"> • NO dirija la corriente de aire hacia usted mismo ni hacia otras personas. • Utilice siempre gafas de seguridad con homologación ANSI Z87.1 y protecciones laterales.

⚠ ADVERTENCIA	
	El aire comprimido no es respirable y puede provocar lesiones. La inhalación o digestión de algunos disolventes y pinturas puede provocar náuseas, desmayos o envenenamientos.
<ul style="list-style-type: none"> • NO utilice aire comprimido para respirar. • Utilice siempre un respirador NIOSH homologado para su aplicación cuando pulverice líquidos. • Lea todas las instrucciones del respirador para comprobar si proporciona toda la protección necesaria para la inhalación de vapores nocivos. 	

⚠ ADVERTENCIA	
	Cuando está en funcionamiento, el compresor y sus tuberías están CALIENTES y pueden provocar quemaduras.
<ul style="list-style-type: none"> • NO toque el compresor ni sus tuberías. • Deje enfriar el compresor antes de cualquier operación de mantenimiento o reparación. 	

⚠ ADVERTENCIA	
	El contacto con el compresor o con su cable puede provocar descargas eléctricas y quemaduras. El compresor debe estar conectado a tierra.
<ul style="list-style-type: none"> • NO utilice adaptadores de conexión a tierra. Examine el cable antes de cada uso. • NO utilice la unidad sin sus tapas/guardas de protección o si éstas presentan daños. • NO utilice la unidad en condiciones de humedad. Almacene la unidad en un espacio interior. • Desconecte la unidad de la fuente de energía eléctrica y elimine la presión del depósito cuando no esté en uso y antes de iniciar cualquier actividad de mantenimiento o reparación. 	

Mantenimiento

Plan de mantenimiento

Observe los intervalos de horas o de calendario, lo que suceda antes. Se requiere un mantenimiento más frecuente al operar en condiciones adversas como se indica a continuación.

TAREA DE MANTENIMIENTO	FECHAS DE MANTENIMIENTO				FECHAS DE MANTENIMIENTO		
	Diariamente	Semanalmente	Cada 50 horas o una vez al año	Cada 100 horas o una vez al año			
Inspeccione la válvula de seguridad	X						
Inspeccione los acoplamiento/válvula	X						
Inspeccione el nivel de aceite		X					
Limpie la unidad		X					
Inspeccione y limpie el filtro de aire			X				
Cambio el aceite de la bomba					X*		
Inspeccione las etiquetas de seguridad					X**		

* Cambiar el aceite tras las 100 primeras horas de funcionamiento, y después, cada 300 horas

** Revisar una vez al año, sustituir si es necesario

Utilización

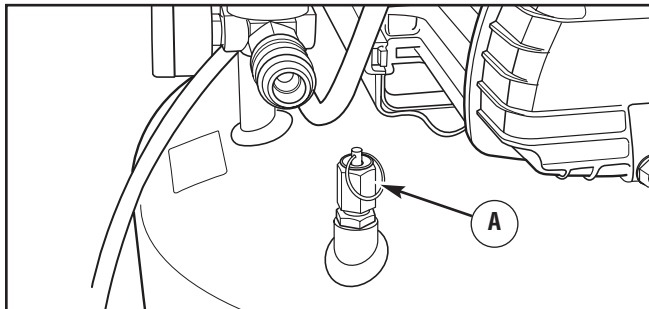
Recomendaciones generales

A fin de garantizar un funcionamiento eficaz del compresor de aire y de prolongar su vida útil, prepare y siga un programa de mantenimiento rutinario. La rutina que se describe en esta sección corresponde a un compresor de aire utilizado a diario en condiciones normales de trabajo. Si es necesario, modifique el programa para adaptarlo a las condiciones de trabajo de su compresor. Las modificaciones dependerán del número de horas de funcionamiento y del entorno de trabajo. Los compresores de aire que funcionan en entornos hostiles o de gran suciedad precisarán revisiones más frecuentes.

NOTA: Consulte la ubicación de los mandos en la sección *Características y Mandos y Operación*.

Inspeccione la válvula de seguridad

1. Tire de la anilla de la válvula de seguridad (A) y compruebe si la válvula funciona libremente.



2. Si la válvula queda pegada o no funciona con suavidad, se deberá reemplazar por otra nueva del mismo tipo. Lleve la unidad a un servicio técnico autorizado para repararla.

Inspeccione la válvula de vaciado del depósito

1. Sitúe el interruptor **ON - OFF** en la posición **OFF** y desenchufe la unidad.
2. Desconecte la herramienta neumática o el accesorio de la unidad.

ADVERTENCIA



La corriente de aire comprimido procedente de la manguera o del punto de vaciado del depósito puede provocar lesiones de los tejidos blandos en las partes expuestas de la piel y propulsar objetos, con el resultado de lesiones y/o daños materiales de gravedad.

- NO dirija la corriente de aire hacia usted mismo ni hacia otras personas.
- Utilice siempre gafas de seguridad con homologación ANSI Z87.1 y protecciones laterales.

3. Tire de la anilla de la válvula de seguridad para reducir la presión de aire. Suelte la anilla de la válvula de seguridad.
4. Abra las dos válvula de vaciado (gire a tope hacia la izquierda) y deje salir el agua acumulada. Las válvulas deben funcionar con suavidad en todo su margen.
5. Una vez eliminada el agua, cierre las válvula de vaciado girando a tope a la derecha.

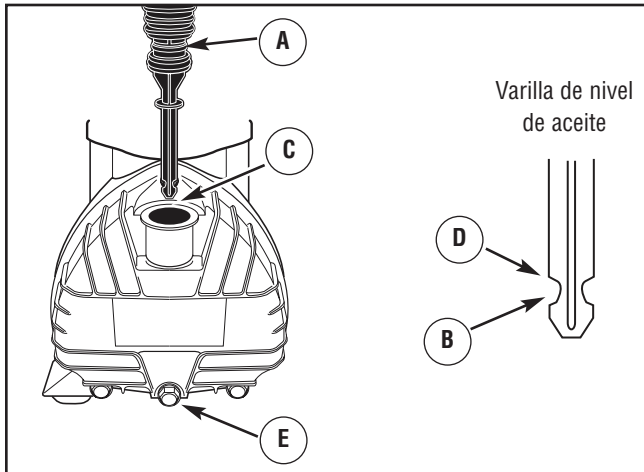
NOTA: Si la válvula de vaciado está taponada, tire de la anilla de la válvula de seguridad para eliminar todo el aire del depósito. Desmonte, limpie y vuelva a montar la válvula de vaciado con sellador para roscas de tuberías.

Aceite de la bomba

Comprobación del nivel de aceite

Siga estos pasos para comprobar el nivel de aceite:

1. Sitúe el interruptor **ON - OFF** en la posición **OFF** y desenchufe la unidad.
2. Coloque la unidad en una superficie plana y nivelada.
3. Quite la varilla de nivel de aceite (**A**) y limpie todo resto de aceite.



4. Inserte hasta el fondo la varilla de nivel en el orificio de llenado de aceite.
5. Extraiga lentamente la varilla y compruebe si el nivel de aceite es correcto (**B**).
6. Si es insuficiente, añada el aceite recomendado hasta llegar al nivel correcto. Si el nivel supera el máximo (**D**), elimine el exceso como se indica en la siguiente sección.
7. Vuelva a instalar la varilla de nivel de aceite

Cambio del aceite

Siga estos pasos cuando llegue el momento recomendado de cambiar el aceite:

1. Sitúe el interruptor **ON - OFF** en la posición **OFF** y desenchufe la unidad.
2. Coloque la unidad en una superficie plana y nivelada.

⚠ ADVERTENCIA	
	Cuando está en funcionamiento, el compresor y sus tuberías están CALIENTES y pueden provocar quemaduras.
<ul style="list-style-type: none"> • NO toque el compresor ni sus tuberías. • Deje enfriar el compresor antes de cualquier operación de mantenimiento o reparación. 	

3. Quite la varilla de nivel de aceite y limpie todo resto de aceite.
4. Coloque un recipiente bajo el orificio de vaciado de aceite (**E**).
5. Utilice una llave ajustable para quitar el tapón hexagonal de vaciado.

6. Vacíe todo el aceite en el recipiente. Coloque el tapón de vaciado y apriételo con la llave ajustable. Deseche el aceite usado con arreglo a la normativa vigente.
7. Con la ayuda de un embudo, añada lentamente el aceite recomendado. Compruebe con frecuencia el nivel de aceite para no llenar en exceso la bomba.
8. Una vez alcanzado el nivel de aceite adecuado, vuelva a instalar la varilla y limpie el aceite que se haya podido derramar.

Limpieza de la unidad

Mantenga el compresor de aire limpio y seco, situándolo lejos de cualquier fuente de contaminación. Asegúrese de que la unidad está colocada en una zona bien ventilada.

Proteja las mangueras, los conectores, los conectores rápidos y los accesorios para evitar que sufran daños.

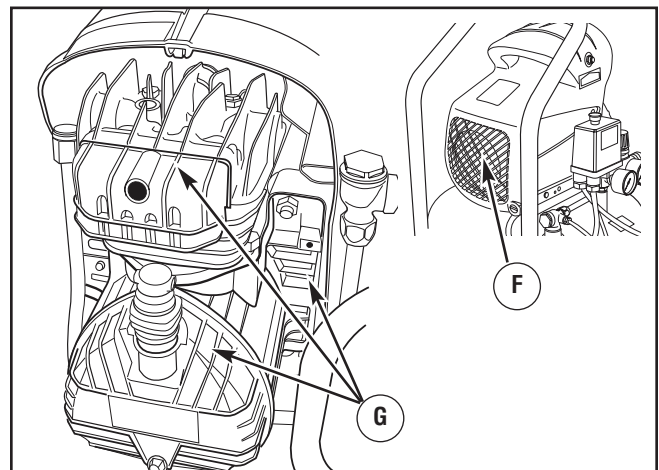
Para prolongar la vida útil del compresor, lleve a cabo estos pasos cada semana. Si el entorno de trabajo es particularmente sucio, llévelos a cabo a diario.

1. Sitúe el interruptor **ON - OFF** en la posición **OFF** y desenchufe la unidad.

⚠ ADVERTENCIA	
	Cuando está en funcionamiento, el compresor y sus tuberías están CALIENTES y pueden provocar quemaduras.
<ul style="list-style-type: none"> • NO toque el compresor ni sus tuberías. • Deje enfriar el compresor antes de cualquier operación de mantenimiento o reparación. 	

IMPORTANTE: NO utilice chorros de agua ni líquidos inflamables para limpiar la unidad.

2. Utilice un trapo suave y un cepillo pequeño para limpiar la suciedad y los residuos acumulados en los siguientes lugares:
 - Rejillas situadas en el lado izquierdo de la cubierta del motor (**F**) (lado opuesto del orificio de llenado de aceite)



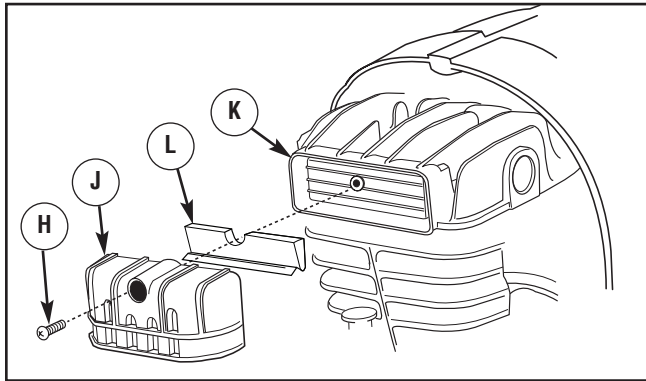
- Aletas de refrigeración (**G**) de la parte superior de la bomba del compresor de aire
- Aletas de refrigeración (**G**) de los laterales de la bomba del compresor de aire, especialmente las situadas entre los laterales de la bomba y la cubierta

- Punto de llenado de aceite y zona adyacente del cuerpo de la bomba de aire
- Orificio de vaciado del cuerpo de la bomba de aire
- Pomo regulador de presión, manómetros, acoplamiento para conector rápido y válvula de seguridad

Inspeccione / limpie el filtro de aire

Siga estos pasos para comprobar y limpiar el filtro de aire del compresor.

1. Con el depósito de aire a plena presión (interruptor **ON - OFF** en posición **ON** y motor parado), sitúe el interruptor **ON - OFF** en la posición **OFF**. Desconecte el cable de alimentación de la toma.
2. Utilice un destornillador de estrella para quitar el tornillo (**H**) que sujeta la tapa del filtro de aire (**J**) y retire la tapa.



3. Retire el material filtrante (**L**).

IMPORTANTE: NO utilice el compresor sin el filtro de aire instalado.

Mantenimiento

⚠ ADVERTENCIA	
	<p>La corriente de aire comprimido procedente de la manguera o del punto de vaciado del depósito puede provocar lesiones de los tejidos blandos en las partes expuestas de la piel y propulsar objetos, con el resultado de lesiones y/o daños materiales de gravedad.</p>
<ul style="list-style-type: none"> • NO dirija la corriente de aire hacia usted mismo ni hacia otras personas. • Utilice siempre gafas de seguridad con homologación ANSI Z87.1 y protecciones laterales. 	

4. Si está sucio, elimine la suciedad con aire comprimido. Sople también los residuos depositados en la tapa del filtro de aire y en el cuerpo del filtro.

NOTA: NO utilice disolventes líquidos para limpiar el material filtrante.

5. Vuelva a colocar el filtro de aire en el cuerpo del filtro.
6. Coloque la tapa del filtro sobre el material filtrante. Utilice un destornillador de estrella para fijar la tapa con el tornillo.

NOTA: Sustituya el elemento filtrante si está muy sucio.

Inspeccione las etiquetas de seguridad

Siempre que lo desee, y al menos una vez al año, examine todas las etiquetas del compresor de aire. Todas ellas deben estar en su sitio y ser legibles. Si no fuera el caso, puede conseguir etiquetas de repuesto en los centros de servicio autorizados y llamando a la línea de asistencia **(800) 743-4115**.

Almacenamiento

Antes de guardar el compresor de aire, asegúrese de seguir estos pasos:

1. Consulte la sección *Mantenimiento* y lleve a cabo las operaciones de mantenimiento necesarias.
2. Sitúe el interruptor **ON - OFF** en la posición **OFF** y desenchufe la unidad.
3. Gire el pomo de control de presión hacia la izquierda hasta sentir que gira libremente.
4. Desconecte la herramienta neumática o el accesorio.

⚠ ADVERTENCIA	
	<p>La corriente de aire comprimido procedente de la manguera o del punto de vaciado del depósito puede provocar lesiones de los tejidos blandos en las partes expuestas de la piel y propulsar objetos, con el resultado de lesiones y/o daños materiales de gravedad.</p>
<ul style="list-style-type: none"> • NO dirija la corriente de aire hacia usted mismo ni hacia otras personas. • Utilice siempre gafas de seguridad con homologación ANSI Z87.1 y protecciones laterales. 	

5. Tire de la anilla de la válvula de seguridad y elimine aire del depósito para reducir la presión. Suelte la anilla de la válvula de seguridad.
6. Vacíe todo el aire y el agua del depósito abriendo las válvulas de vaciado a tope, hacia la izquierda.
7. Sacuda la unidad adelante y atrás para agitar el condensado a medida que se vacía para limpiar al mismo tiempo el depósito.
8. Una vez eliminada el agua, cierre las válvulas de vaciado girando a tope a la derecha.
9. Proteja el cable eléctrico y la manguera de aire (por ejemplo, evite que se puedan pisar).
10. Almacene el compresor de aire en un espacio interior limpio y seco.

Resolución de Problemas

Antes de llamar

Si tiene algún problema con el funcionamiento del compresor de aire, llame a la línea de asistencia **(800) 743-4115**. Tenga preparados los números de modelo, revisión y serie, que figuran en la etiqueta de datos.

PROBLEMO	ACCION	CAUSA
Exceso de presión en el depósito – la válvula de seguridad se activa.	El presostato no para el motor cuando el compresor alcanza la presión de “corte” o ésta es demasiado elevada.	Sitúe el interruptor ON - OFF en la posición OFF. Si la unidad no se para, póngase en contacto con un técnico cualificado.
Pérdidas de aire	<ol style="list-style-type: none"> 1. Acoplamiento para conector rápido roto o suelto. 2. El asiento de la válvula de retención está sucio o dañado. 3. La válvula de descarga del presostato está dañada. 4. El depósito de aire está dañado. 5. Hay una fuga en la junta. 6. El regulador está dañado. 	<ol style="list-style-type: none"> 1. Apriete la acoplamiento para conector rápido en los que pueda escucharse la fuga de aire. Cambie los acoplamiento. 2. Póngase en contacto con un técnico cualificado. 3. Póngase en contacto con un técnico cualificado. 4. Cambie el depósito de aire. NO REPARE EL DEPÓSITO. 5. Póngase en contacto con un técnico cualificado. 6. Póngase en contacto con un técnico cualificado.
Golpeteo	La válvula de seguridad está sucia o dañada.	Accione la válvula de seguridad manualmente tirando de la anilla. Si persiste la fuga en la válvula, deberá reemplazarla en un servicio técnico autorizado.

PROBLEMO	ACCION	CAUSA
<p>El compresor no suministra aire suficiente para accionar los accesorios</p>	<ol style="list-style-type: none"> 1. Uso excesivamente prolongado del aire. 2. La capacidad del compresor es insuficiente para generar el caudal de aire necesario. 3. La manguera está perforada. 4. La válvula de retención está obstruida. Hay una fuga de aire. 5. El filtro de entrada de aire está obstruido. 	<ol style="list-style-type: none"> 1. Reduzca la cantidad de aire utilizada. 2. Compruebe los requisitos del accesorio. Si superan los SCFM o la presión que suministra el compresor, necesitará una unidad de mayor capacidad. 3. Inspecciónela y cámbiela si es necesario. 4. Retire y limpie o cambie la válvula de retención. 5. Limpie o cambie el filtro de entrada de aire.
<p>El motor no funciona</p>	<ol style="list-style-type: none"> 1. Se ha activado el interruptor de protección contra sobrecargas del motor. 2. La presión del depósito es superior a la presión de "arranque". 3. Las conexiones eléctricas están flojas. 4. El motor o el condensador de arranque puede estar dañado. 5. La válvula de descarga de presión del presostato no ha descargado la presión. 6. Fusible fundido, interruptor activado. 	<ol style="list-style-type: none"> 1. Deje enfriar el motor durante 15 minutos. Pulse RESET (rearme) para rearmar el interruptor de sobrecarga. 2. El motor se pondrá en marcha automáticamente cuando la presión del depósito caiga por debajo del ajuste de presión de "arranque". 3. Revise la conexión de los cables en el interior del presostato y en la zona del cuadro de terminales. 4. Haga que un técnico cualificado revise la unidad. 5. Elimine la presión situando el interruptor de encendido en la posición OFF. Si la válvula de descarga de presión no se abre, póngase en contacto con un técnico cualificado. 6A. Compruebe el cuadro de fusibles y cambie el fusible fundido. Rearme el disyuntor. No utilice un fusible o disyuntor de mayor capacidad que la especificada para el circuito derivado. B. Compruebe si el fusible es correcto. Utilice un fusible con retardo. C. Compruebe si la tensión es insuficiente y/o si se utilizan cables prolongadores inadecuados. D. Desconecte el resto de las cargas eléctricas del circuito utilizado por el compresor de aire O dedique un circuito bifurcado para el compresor de aire.

Glosario

La familiarización con los siguientes términos le ayudará a comprender y utilizar mejor el compresor de aire:

Aisladores antivibración – Cuando se instalan, minimizan las vibraciones que produce el compresor de aire.

Camisa de fundición – Cilindro fino de hierro situado dentro de la cabeza del cilindro que produce una superficie de mayor dureza entre las paredes de aluminio del cilindro y los segmentos de acero del pistón, prolongando así la vida útil del compresor.

Capacidad del depósito de aire – Volumen de aire almacenado en el depósito y disponible para un uso inmediato. Un tanque de gran capacidad permite utilizar de forma intermitente un herramienta neumática con un requisito de salida de aire superior a la capacidad nominal del compresor.

CFM o SCFM (Standard Cubic Feet per Minute – Pies cúbicos por minuto). SCFM es el volumen de aire, en pies cúbicos, que puede bombear el compresor por minuto a una presión de trabajo concreta. En este manual, se utiliza el término CFM.

Control de presión – Dispositivo utilizado para ajustar la salida de presión del compresor de aire. También se denomina regulador. El regulador de presión se ajusta para suministrar la presión (en psi) que necesita cada herramienta neumática. El ajuste se puede ver en el manómetro de presión de salida.

Corriente alterna (CA) – Tensión que aumenta hasta un valor positivo máximo (+), vuelve a cero, continúa hasta un valor negativo máximo (-) y llega de nuevo a cero. Este ciclo se repite 60 veces por segundo en el caso de la corriente alterna de 60 hercios.

Disyuntor – Interruptor térmico que abre un circuito cuando lo atraviesa demasiada corriente. El motor del compresor de aire cuenta con uno de estos dispositivos de protección rearmables.

Dos etapas – Un compresor de aire de dos etapas siempre consta de al menos dos cilindros, uno de baja presión (LP) y mayor tamaño y otro de alta presión (HP) y menor tamaño. Cuando el pistón LP baja, el aire entra a presión atmosférica. Durante la carrera ascendente, el pistón LP descarga el aire a través de un enfriador intermedio y lo introduce en el cilindro HP durante su carrera descendente. Durante la carrera ascendente del pistón HP, el aire se descarga en el depósito. Se recomienda el uso de compresores de aire de dos etapas cuando las herramientas se utilizan de forma continua.

GFCI – Interruptor de corriente de fallo de conexión a tierra. Dispositivo que detecta un flujo de corriente en la gama de los miliamperios en un circuito eléctrico de conexión a tierra y activa un relé para abrir los conductores de la línea.

Homologación ASME – Indica que el recipiente de presión (depósito de aire) y los componentes relacionados se han fabricado, probado e inspeccionado conforme a las especificaciones de la American Society of Mechanical Engineers (Sociedad americana de ingenieros mecánicos).

Manómetro del depósito – Dispositivo que indica la presión de aire del depósito en psi.

Presión de arranque – A medida que se utiliza el aire del depósito de aire, la presión de éste se reduce. Cuando se alcanza un nivel mínimo determinado, el presostato lo detecta y activa el motor del compresor para volver a llenar el depósito. El nivel en el cual se pone en marcha el motor se denomina presión de arranque.

Presión de parada – Cuando el compresor funciona, produce aire que se almacena en el depósito. Si no se utiliza el aire, la presión se acumula en el depósito. El presostato detecta la alta presión y, cuando se alcanza un nivel máximo determinado, detiene el motor del compresor. El nivel en el cual se para el motor se denomina presión de parada.

psi – libras por pulgada cuadrada. Medida de la presión de aire que suministra el sistema de aire comprimido.

Salida de aire – Combinación de psi y CFM. La salida de aire necesaria para utilizar una herramienta o un accesorio se indica como “‘número’ (S)CFM a ‘número’ psi”. Por ejemplo “4,9 CFM a 90 psi”. La combinación de estos valores determina la capacidad del compresor de aire necesario.

Toma doble – Dos tomas de 120 V CA unidas entre sí. Similares a las tomas de uso doméstico.

Tierra – Conexión voluntaria o accidental entre un circuito eléctrico y la tierra o algún cuerpo conductor que actúe como la tierra.

Una etapa – Los compresores de aire de una etapa constan de uno o varios cilindros que toman aire en su carrera descendente y lo comprimen en el depósito de aire en su carrera ascendente.

Válvula de seguridad ASME – Dispositivo de protección que libera automáticamente aire del depósito si la presión de éste supera un valor máximo predeterminado.

POLÍTICA DE GARANTÍA PARA EL PROPIETARIO DE COMPRESORES DE AIRE BRIGGS & STRATTON POWER PRODUCTS GROUP, LLC

Fecha de entrada en vigor: 1 de julio de 2007. Sustituye a todas las garantías sin fecha y a las de fecha anterior al 1 de julio de 2007

GARANTÍA LIMITADA

Briggs & Stratton Power Products Group, LLC reparará o sustituirá sin cargo alguno cualquier componente del compresor de aire que presente defectos de materiales y/o mano de obra. Los gastos de transporte de las productos enviadas para reparar o sustituir conforme a los términos de esta garantía correrán a cargo del comprador. El período de vigencia y las condiciones de esta garantía son los que se estipulan a continuación. Para obtener servicio en garantía, localice el distribuidor de servicio autorizado más próximo en nuestro mapa de distribuidores, en www.BRIGGSandSTRATTON.COM.

NO EXISTE NINGUNA OTRA GARANTÍA EXPLÍCITA. LAS GARANTÍAS IMPLÍCITAS, INCLUIDAS LAS DE COMERCIABILIDAD O IDONEIDAD PARA UN FIN CONCRETO, SE LIMITAN A UN AÑO A PARTIR DE LA FECHA DE COMPRA O AL LÍMITE DE TIEMPO PERMITIDO POR LA LEY. QUEDAN EXCLUIDAS TODAS LAS GARANTÍAS IMPLÍCITAS QUEDA EXCLUIDA LA RESPONSABILIDAD POR DAÑOS SECUNDARIOS Y DERIVADOS HASTA EL LÍMITE PERMITIDO POR LA LEY. Algunos países o estados no permiten limitar la duración de una garantía implícita ni excluir o limitar los daños secundarios y derivados. Por tanto, es posible que las limitaciones y exclusiones mencionadas no sean aplicables en su caso. Esta garantía le otorga determinados derechos legales y es posible que tenga otros derechos que pueden variar de un país o estado a otro.

PERÍODO DE GARANTÍA

Uso del consumidor	2 años
Uso comercial	2 años

El período de garantía comienza en la fecha de compra del primer consumidor o usuario comercial final y se prolonga durante el tiempo especificado anteriormente. "Uso del consumidor" significa uso doméstico personal por parte de un consumidor final. "Uso comercial" significa cualquier otro uso, incluidos los usos con fines comerciales, de generación de ingresos o alquiler. Una vez que el equipo se haya usado con fines comerciales, se considerará como equipo de uso comercial a efectos de esta garantía.

NO ES NECESARIO REGISTRAR LA GARANTÍA PARA OBTENER SERVICIO DE BRIGGS & STRATTON PRODUCTS. GUARDE SU RECIBO DE COMPRA. SI NO APORTA LA PRUEBA DE LA FECHA DE COMPRA INICIAL EN EL MOMENTO DE SOLICITAR EL SERVICIO EN GARANTÍA, SE UTILIZARÁ LA FECHA DE FABRICACIÓN DEL PRODUCTO PARA DETERMINAR EL PERÍODO DE GARANTÍA.

ACERCA DE LA GARANTÍA

Esperamos que disfrute de nuestra garantía y le pedimos disculpas por las molestias causadas. Cualquier distribuidor de servicio autorizado puede llevar a cabo reparaciones en garantía. La mayoría de las reparaciones en garantía se gestionan normalmente, pero algunas veces la solicitud de servicio en garantía puede no ser procedente. Por ejemplo, la garantía no será válida si el equipo presenta daños debidos al mal uso, la falta de mantenimiento, el transporte, la manipulación, el almacenamiento o la instalación inadecuados. De manera similar, la garantía quedará anulada si se ha borrado la fecha de fabricación o el número de serie del compresor de aire, o si el equipo ha sido alterado o modificado. Durante el período de garantía, el distribuidor de servicio autorizado podrá reparar o sustituir, a su libre elección, cualquier pieza que, previa inspección, sea defectuosa en condiciones normales de uso y servicio. Esta garantía no cubre las reparaciones y los equipos que se detallan a continuación:

- **Desgaste normal:** Al igual que cualquier otro aparato mecánico, los equipos de uso en exteriores necesitan piezas y mantenimiento periódicos para funcionar correctamente. Esta garantía no cubre las reparaciones cuando el uso normal haya agotado la vida útil de una pieza concreta del equipo.
- **Instalación y mantenimiento:** Esta garantía no cubre los equipos ni las piezas cuya instalación sea incorrecta o no haya sido autorizada, ni aquellos que hayan sido objeto de cualquier tipo de alteración, mal uso, negligencia, accidente, sobrecarga, exceso de velocidad o mantenimiento, reparación o almacenamiento inadecuados que, a nuestro juicio, haya afectado negativamente a su funcionamiento y su fiabilidad. La garantía no cubre el mantenimiento normal, como los filtros de aire, los reglajes, etc.
- **Otras exclusiones:** Esta garantía excluye los elementos sujetos a desgaste, como las juntas, las juntas tóricas, etc. También excluye los compresores de aire que hayan funcionado sin aceite o que hayan sufrido daños derivados de la congelación del agua de los depósitos. El compresor de aire sólo queda cubierto por la garantía si se utiliza de forma no continua y no debe utilizarse continuamente. Los accesorios, como mangueras o herramientas neumáticas no suministradas con el compresor, quedan excluidos de la garantía del producto. Esta garantía excluye los fallos debidos a hechos fortuitos y a otros acontecimientos de fuerza mayor que escapan al control del fabricante. 203939S, Rev. -, 7/1/2007

Problemas

BRIGGS & STRATTON POWER PRODUCTS GROUP, LLC
JEFFERSON, WI, EE.UU.



PROSERIES

Compresor de aire

Especificaciones del producto

Frecuencia CA: 60 Hz
Tensión nominal CA: 120 voltios, monofásica
Tipo de bomba: Transmisión directa lubricada por aceite
Lubricante: SAE 5W50 o 85W140 Sintético
Capacidad de aceite: 200 ml (7.168 onzas)
Salida de aire:
 A 40 psi 4,9 CFM
 A 90 psi 3,6 CFM
Valor de presión de arranque: 90 psi (6,2 bar)
Valor de presión de parada: 125 psi (8,7 bar)
Capacidad del depósito: 22,5 l (6 galones)
Tipo de depósito: Plano, sencillo (Pancake)
Tamaño recomendado
de la manguera de aire: 14 mm (3/8") de diámetro interior
Acoplamiento de aire: NPT de 1/4 de pulgada
Tipo de acoplamiento para conector rápido: I/M
Margen de temperatura
de funcionamiento: 0°C a 35°C (32°F a 97°F)
Peso con embalaje: 27,3 kg (60 libras)

Servicio común despide

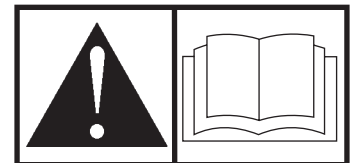
Depurador de aire 200697GS

Briggs & Stratton Power Products Group, LLC
900 N. Parkway
Jefferson, Wisconsin, 53549 U.S.A.



PROSERIES

Compresseur d'air Manuel d'utilisation



**BRIGGS & STRATTON POWER PRODUCTS GROUP, LLC
JEFFERSON, WISCONSIN, U.S.A.**

Merci d'avoir acheté ce compresseur d'air de qualité Briggs & Stratton. Nous sommes heureux que vous fassiez confiance à la marque Briggs & Stratton. Si vous respectez les instructions d'utilisation et d'entretien de ce manuel, vous pourrez vous fier à votre compresseur d'air Briggs & Stratton durant de nombreuses années.

Ce manuel contient des renseignements sur la sécurité pour vous informer des dangers et des risques associés au compresseur d'air ainsi que de la façon de les éviter. Ce compresseur d'air a été fabriqué pour fournir un volume adéquat d'air comprimé pour assurer le fonctionnement d'une variété de petits outils pneumatiques (rectifieurs à main ou clés à rochet) des dispositifs de pulvérisation et de soufflerie requérant moins de 4,9 pi³/min de débit d'air pour fonctionner. Il est important de bien lire et comprendre entièrement ces directives avant de tenter de démarrer et d'utiliser cet équipement. **Conservez ces instructions pour référence future.**

Cette compresseur d'air exige un assemblage final avant utilisation. Consultez la section *Assemblage* de ce manuel pour les directives sur les procédures d'assemblage finales. Suivez ces instructions à la lettre.

Où nous trouver

Vous n'aurez jamais à chercher bien loin pour trouver un centre de support et service Briggs & Stratton pour votre compresseur d'air. Consultez les Pages Jaunes. Il y a plus de 30 000 distributeurs de service après-vente agréés Briggs & Stratton dans le monde qui offrent un service de qualité. Vous pouvez aussi téléphoner au Service à la clientèle de Briggs & Stratton au **(800) 743-4115** ou communiquer avec eux par Internet à l'adresse BRIGGSandSTRATTON.COM.

Compresseur d'air

Numéro de modèle

--	--	--	--	--	--	--	--	--	--

Révision

--	--

Numéro de série

--	--	--	--	--	--	--	--	--	--	--	--	--	--	--	--	--	--	--	--

Date d'achat

--	--	--	--	--	--	--	--

Briggs & Stratton Power Products Group, LLC.
900 North Parkway
Jefferson, WI 53549

Copyright © 2007 Briggs & Stratton Power Products Group, LLC. Tous droits réservés. Aucune partie de ce manuel ne peut être reproduite ou transmise sous n'importe quelle forme et par quelque moyen que ce soit sans l'autorisation expresse écrite de Briggs & Stratton Power Products Group, LLC.

Table des Matières

Sécurité de l'opérateur	4
Description de l'équipement	4
Règles de sécurité	4
Assemblage	7
Déballage	7
Ajoutez de l'huile	7
Fonctions et commandes	8
Opération	9
Emplacement du compresseur d'air lors de l'utilisation	9
Directives de mise à la terre	9
Procédure de rodage	9
Démarrage de votre compresseur d'air	10
Arrêt de votre compresseur d'air	10
Rallonges	10
Utilisation du compresseur	11
Réarmement du protecteur de surcharge	11
Entretien	12
Calendrier d'entretien	12
Vérifiez la soupape de sûreté	12
Vérifiez le robinet de vidange du réservoir	12
Huile de la pompe	13
Nettoyage de l'unité	13
Vérifiez/nettoyez le filtre à air	14
Vérifiez les étiquettes de sécurité	14
Entreposage	14
Dépannage	15
Avant de nous contacter	15
Glossaire	17
Garantie	18
Caractéristiques	20
Caractéristiques du produit	20
Pièces d'entretien courant	20

Sécurité de l'opérateur

Description de l'équipement



Lisez bien ce manuel et familiarisez-vous avec votre compresseur d'air. Sachez à quoi elle peut servir, ses limites et les dangers qui y sont associés.

Ce manuel renferme des renseignements sur le fonctionnement et la maintenance d'un compresseur d'air muni de deux réservoirs qui produit 4,9 pi3/min à 40 lb/po2 (2,8 bars) et 3.6 pi3/min 90 lb/po2 (6,2 bars) en utilisant un moteur électrique de 120 volts C.A. Ce système résidentiel de haute qualité est doté d'une pompe à entraînement direct lubrifiée à l'huile avec un manchon de fonte, une soupape de démarrage facile, deux sorties d'air et une protection de surcharge du moteur avec redémarrage manuel.

Ce compresseur d'air a été fabriqué pour fournir un volume adéquat d'air comprimé pour assurer le fonctionnement d'une variété de petits outils pneumatiques (rectifieurs à main ou clés à rochet) des dispositifs de pulvérisation et de soufflerie requérant moins de 4,9 pi3/min de débit d'air pour fonctionner. Ne pas faire fonctionner l'unité si la moyenne de température ne se situe pas entre 32° et 95° F (0° et 35° C). Ce compresseur est conçu pour fonctionner à un maximum de 70 % de charge par heure à pleine capacité.

Tout a été fait pour s'assurer que les renseignements contenus dans ce manuel soient exacts et à jour. Toutefois, nous nous réservons le droit de changer, de modifier ou d'améliorer le produit et ce document en tout temps, et ce, sans préavis.

Règles de sécurité



Ceci est la sûreté le symbole vif. Il est utilisé pour vous alerter aux dangers de blessure personnels potentiels. Obéir tous messages de sûreté qui suivent ce symbole éviter la blessure ou la mort possibles.

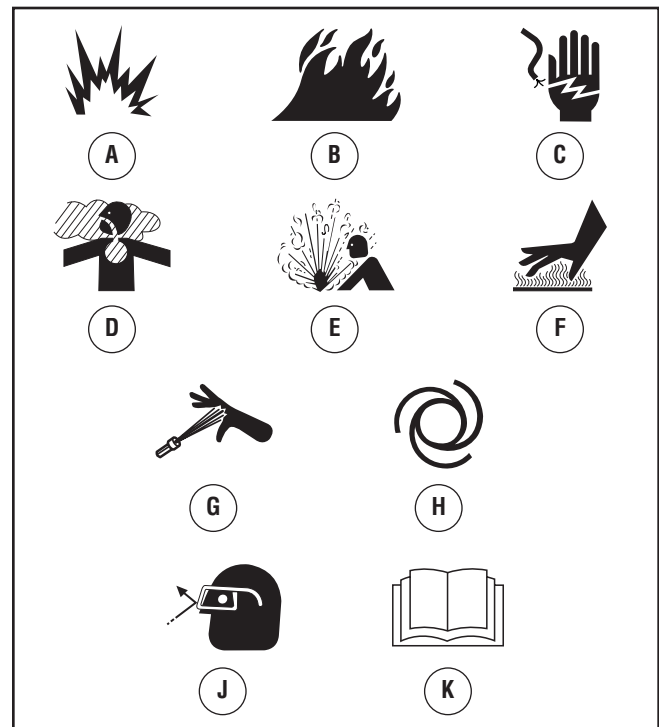
Le symbole (▲) indiquant un message de sécurité est accompagné d'un mot indicateur (DANGER, ATTENTION, AVERTISSEMENT), d'un message illustré et/ou d'un message de sécurité visant à vous avertir des dangers.

DANGER indique un danger qui, s'il n'est pas évité, *provoquera* des blessures graves, voire fatales.

AVERTISSEMENT indique un danger qui, s'il n'est pas évité, *peut* provoquer des blessures graves, voire fatales.

ATTENTION indique un danger qui, s'il n'est pas évité, *peut* provoquer des blessures mineures ou légères. Le mot **AVIS** indique une situation pouvant endommager l'équipement. Suivez les messages de sécurité pour éviter ou réduire les risques de blessures ou de mort.

Symboles de danger et moyens



A - Explosion

B - Feu

C - Choc électrique

D - Emanations toxiques

E - Air comprimé

F - Surface chaude

G - Injection pneumatique

H - Auto-démarrage

J - Objets volants

K - Manuel d'utilisation

⚠ AVERTISSEMENT

L'omission de lire et de suivre les directives de ce manuel pourrait entraîner la mort, des blessures corporelles ou des dommages matériels.

- Avant d'utiliser ce produit, veuillez lire le Manuel d'utilisation et suivre toutes les directives relatives à la sécurité et à l'utilisation énumérées.
- Laissez ce manuel à la disposition des autres utilisateurs de cet équipement.

⚠ AVERTISSEMENT

Tout contact avec le compresseur ou son cordon d'alimentation peut causer un choc électrique dangereux ou des brûlures.

Une mise à la terre inadéquate peut causer un choc électrique.

Tout contact avec les composants situés sous un couvercle protecteur peut causer un choc électrique ou des brûlures.

- N'utilisez PAS d'adaptateur de mise à la terre. Inspectez le cordon d'alimentation avant chaque utilisation.
- N'utilisez PAS le compresseur sans les couvercles protecteurs ou si les gardes sont manquants ou endommagés.
- Ne faites PAS fonctionner dans un milieu détrempé. Entreposez l'unité à l'intérieur.
- Débranchez la source d'alimentation de courant et libérez la pression du réservoir lorsque l'unité n'est pas utilisée ou avant d'effectuer l'entretien.
- NE modifiez PAS la fiche fournie. Si elle ne s'adapte pas à la prise murale disponible, demandez à un électricien qualifié d'installer une prise murale appropriée.
- Un électricien qualifié DOIT effectuer la réparation du cordon ou de la fiche.

⚠ AVERTISSEMENT

La corrosion non visible à l'intérieur du réservoir peut causer une violente explosion et entraîner des blessures graves ou des dommages à la propriété.



Excéder la pression nominale des outils pneumatiques ou accessoires de gonflement pourrait entraîner des blessures corporelles ou des dommages matériels.

L'altération ou l'enlèvement de la soupape de sûreté ASME peut causer une explosion et entraîner des blessures graves ou des dommages à la propriété.

- VIDangez LE RÉSERVOIR à chaque 4 heures d'utilisation ou quotidiennement, en ouvrant le ou les robinets de vidange et en inclinant le compresseur pour évacuer l'eau accumulée.
- NE modifiez PAS ou ne réparez pas le réservoir, d'aucune façon.
- N'ajustez PAS la pression à un niveau supérieur aux valeurs nominales maximum des outils pneumatiques ou des accessoires de gonflement.
- NE modifiez PAS ou n'enlevez pas la soupape de sûreté ASME. Vérifiez la soupape de sûreté ASME en tirant sur l'anneau avant chaque utilisation. La soupape de sûreté ASME a été réglée à une valeur nominale maximum de protection.

⚠ AVERTISSEMENT

La vaporisation de liquides inflammables ou de combustibles peut causer un incendie ou une explosion.



Le compresseur produit des étincelles lors de son fonctionnement qui peuvent enflammer des vapeurs inflammables ou de combustibles.

- NE pulvérisez PAS de liquides inflammables ou de combustibles alors que vous fumez, près d'étincelles, de flammes nues, de veilleuses, de toutes sources d'allumage ou dans des espaces restreints.
- Pulvérisez dans un espace ouvert et bien ventilé à au moins 20 pieds (6,1 m) du compresseur ou d'autres sources d'allumage.

⚠ AVERTISSEMENT

L'inhalation de l'air comprimé n'est pas sécuritaire et peut causer de graves blessures. Certains produits de peinture ou solvants peuvent être nocifs en cas d'ingestion ou d'inhalation et peuvent provoquer des nausées, un évanouissement ou un empoisonnement.

- N'utilisez PAS l'air comprimé pour l'inhalation.
- Portez toujours un respirateur homologué par la NIOSH et conçu pour votre application.
- Lisez toujours les directives d'utilisation du respirateur de façon à vous assurer qu'il fournit la protection nécessaire contre l'inhalation de vapeurs nocives.

⚠ AVERTISSEMENT

Lors du fonctionnement, le compresseur d'air et les tubes de sortie sont CHAUDS et peuvent causer des brûlures.

- NE touchez PAS au compresseur et aux tubes.
- Laissez refroidir le compresseur avant d'effectuer l'entretien.

⚠ AVERTISSEMENT

Le compresseur peut démarrer en tout temps lorsqu'il est en opération.

- ÉLOIGNEZ-VOUS
- Débranchez la source d'alimentation de courant et libérez la pression du réservoir lorsque l'unité n'est pas utilisée ou avant d'effectuer l'entretien.

⚠ AVERTISSEMENT

Le jet d'air comprimé du boyau ou du robinet de vidange peut causer des lésions aux tissus de la peau exposée et peut projeter des objets entraînant des blessures graves et / ou des dommages à la propriété.

- NE dirigez PAS le jet d'air vers vous-même ou quelqu'un d'autres.
- NE tentez PAS de réparer un boyau d'air.
- Portez toujours des lunettes de sécurité avec protection latérale approuvées ANSI Z87.1.

AVIS

Le compresseur d'air peut subir d'importants dommages, si les procédures de rodage ne sont pas suivies à la lettre.

- Cette procédure doit être exécutée avant d'utiliser le compresseur d'air pour la première fois et après le remplacement de la soupape de retenue ou de la pompe complète du compresseur.

AVIS

Le compresseur d'air peut subir d'importants dommages, si l'unité fonctionne alors que le niveau d'huile est insuffisant. Vérifiez le niveau d'huile quotidiennement ou à chaque utilisation.

- La garantie sera annulée si des dommages à l'équipement sont entraînés par le non-respect de cette directive.

Assemblage

Déballage

1. Enlevez tous les accessoires et composants de la boîte d'expédition.
2. Retirez l'unité de la boîte.

Contenu de la boîte

- Compresseur d'air
- Manuel d'utilisation
- Bouteille d'huile pour la pompe du compresseur
- Jauge d'huile

Si une pièce est manquante, veuillez joindre le service de dépannage du compresseur d'air au numéro sans frais (800) 743-4115.

Accessoires également recommandés:

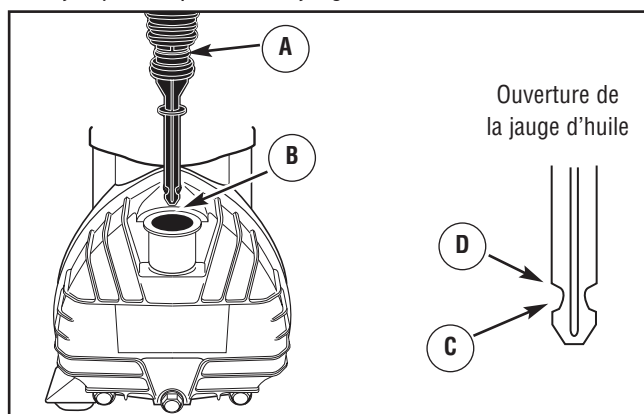
- Lunettes de sécurité (lunettes de sécurité avec protection latérale approuvées ANSI Z87.1)
- Boyau d'air – 25 pieds (7,6 m) 3/8 po de diamètre
- Raccords à connexion rapide – Utiliser les raccords à connexion rapide de type I/M qui se raccordent à un filetage NPT de 1/4 po.
- Protectors des oreilles (ANSI S3.19-1974) dans les environnements bruyants
- Respirateur (approuvés NIOSH) dans les environnements poussiéreux
- Entonnoir pour l'huile

Votre compresseur d'air est prêt pour l'utilisation après:

- l'avoir correctement rempli d'huile (fournie)
- l'avoir branché à une source d'alimentation appropriée
- la procédure de rodage

Ajoutez de l'huile

1. Placez le compresseur sur une surface plane et de niveau.
2. Enlevez et rangez le bouchon d'expédition. À l'aide d'un entonnoir, versez lentement l'huile dans la pompe jusqu'au repère sur la jauge d'huile.



3. Insérez complètement la jauge d'huile (A) dans l'orifice de remplissage d'huile (B).
4. Retirez délicatement la jauge et vérifiez si le niveau d'huile est approprié (C).

AVIS

Le compresseur d'air peut subir d'importants dommages, si l'unité fonctionne alors que le niveau d'huile est insuffisant. Vérifiez le niveau d'huile quotidiennement ou à chaque utilisation.

- La garantie sera annulée si des dommages à l'équipement sont entraînés par le non-respect de cette directive.

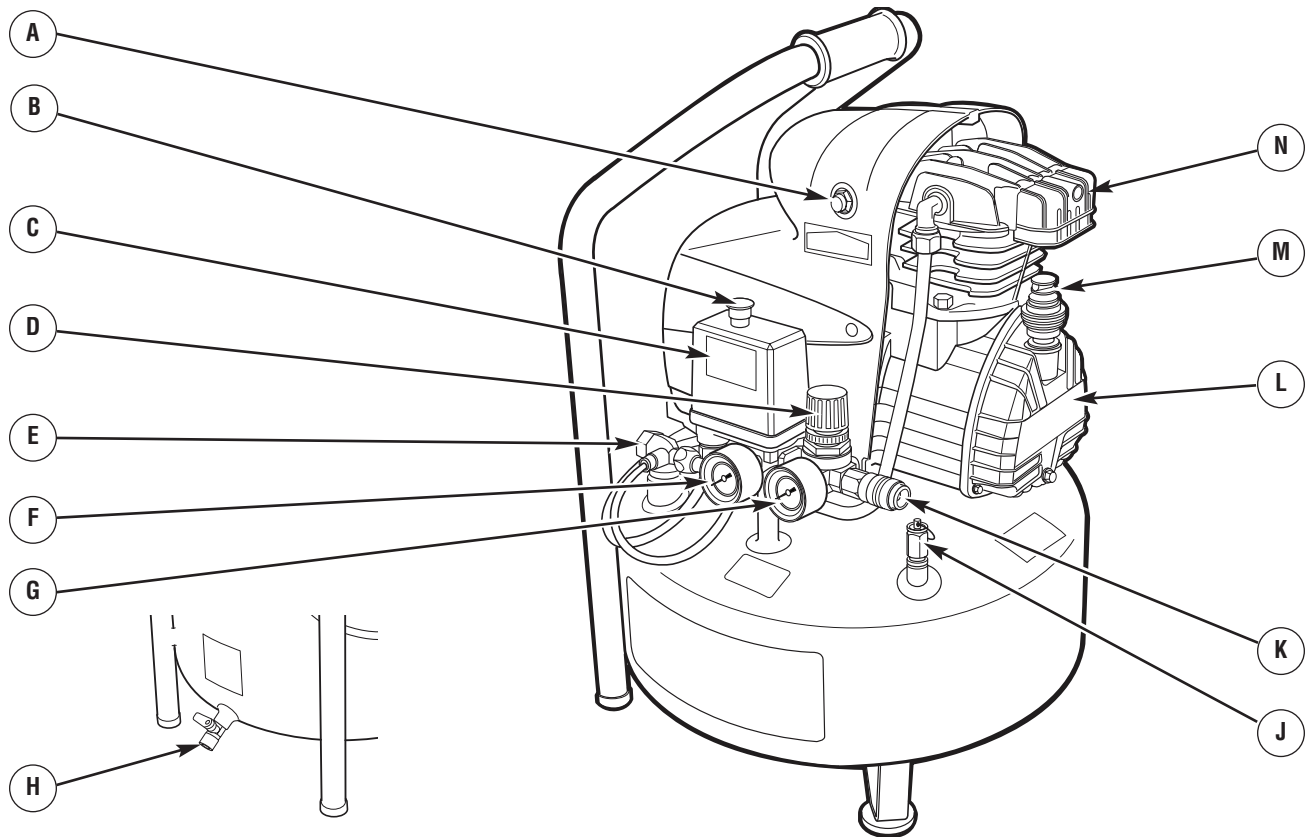
5. Si le niveau d'huile est trop bas, ajoutez l'huile recommandée jusqu'au niveau approprié. Si le niveau d'huile est au-dessus du niveau d'huile MAXIMUM (D), enlevez l'huile excédentaire tel que décrit dans la section *Huile de la pompe*.
6. Remplacez la jauge d'huile.

Fonctions et commandes



Lisez ce manuel d'utilisation ainsi que les règles de sécurité avant de faire fonctionner votre compresseur d'air. Comparez les illustrations avec votre compresseur d'air pour vous familiariser avec l'emplacement des différents boutons et réglages. Conservez ce manuel pour référence ultérieure.

Commandes



A - Protecteur de surcharge — Le protecteur de surcharge arrête le moteur en cas de surchauffe du moteur. Voir *Entretien*.

B - Interrupteur Marche - Arrêt (ON - OFF): Poussez vers le bas l'interrupteur à Marche (ON) pour démarrer le compresseur d'air. Poussez vers le haut l'interrupteur Arrêt (OFF) pour couper l'alimentation.

C - Manostat: Démarre automatiquement le moteur lorsque la pression dans le réservoir d'air chute à une valeur inférieure à la "pression d'enclenchement" et arrête le moteur lorsque la pression atteint la "pression de déclenchement".

D - Commande de pression: Le régulateur contrôle la pression d'air transmis aux raccords de connexion rapide; peut être bloqué à l'aide d'une bague de verrouillage.

E - Soupape de retenue: Lorsque l'unité est en opération, la soupape de retenue est "ouverte", permettant à l'air d'entrer dans le réservoir. Lorsque la pression de déclenchement est atteinte, la soupape de retenue se ferme, pour empêcher le retour d'air dans la pompe. L'utilisateur ne peut réparer la soupape.

F - Manomètre du réservoir: Indique la pression d'air en réserve dans les réservoirs.

G - Manomètre de l'échappement: Indique la pression d'air disponible aux raccords de connexion rapide.

H - Robinet de vidange: Les robinet sont situés à la base de réservoir d'air et sont utilisés pour vidanger la condensation.

J - Soupape de sûreté: La soupape protège contre toute surpression en "sautant" à la valeur de pression établie à l'usine et libère la pression.

K - Raccord de connexion rapide: Connectez ici les outils pneumatiques.

L - Pompe du compresseur d'air: La pompe comprime l'air dans les réservoir.

M - Emplacement pour le remplissage d'huile: La jauge d'huile indique le niveau d'huile de la pompe.

N - Filtre à air — Protège le compresseur d'air en filtrant la poussière et les débris dans la prise d'air.

Non illustrée:

Étiquette de données — L'étiquette de données contient le numéro de série, le numéro de modèle ainsi que les renseignements du numéro de révision.

Soupape de relâchement de surpression — Située au-dessus du réservoir adjacente au raccord à connexion rapide, cette soupape libère automatiquement l'air de la tête du compresseur et du tube de sortie à la "pression de déclenchement" ou lorsque l'unité est fermée. L'utilisateur ne peut réparer la soupape.

REMARQUE: Voir *Glossaire* pour obtenir les définitions.

Opération

Emplacement du compresseur d'air lors de l'utilisation

Le compresseur d'air doit être situé dans un endroit propre, sec et bien aéré. Il doit être situé à une distance d'au moins 12 pouces (30 cm) ou de toute autre obstruction qui pourrait nuire au débit d'air.

La pompe et la tôle de protection du compresseur d'air sont conçues pour permettre un refroidissement approprié. Les ouvertures d'aération du compresseur sont nécessaires pour maintenir la température de fonctionnement appropriée. Ne placez pas de chiffons ou de contenants sur ou à proximité de ces ouvertures. Le filtre à air doit être libre d'obstructions pouvant réduire le débit d'air au compresseur d'air.

Utilisez le compresseur d'air alors que l'unité se trouve sur une surface de niveau, afin d'assurer une lubrification adéquate.

Si vous éprouvez des problèmes avec l'utilisation de votre compresseur d'air, veuillez appeler le service de dépannage du compresseur d'air au **(800) 743-4115**. Si vous appelez pour obtenir de l'assistance, ayez en main le numéro de modèle, le numéro de série et de révision que vous trouverez sur l'étiquette de données.

Directives de mise à la terre

1. Le cordon fourni avec cet appareil comprend une fiche avec broche de mise à la terre. La fiche DOIT être insérée dans une prise de courant mise à la terre.

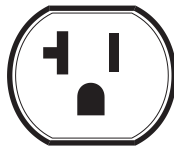
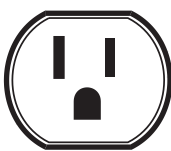
AVERTISSEMENT



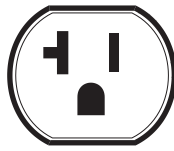
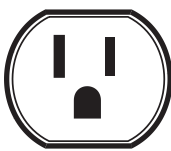
Une mise à la terre inadéquate peut causer un choc électrique.

- N'utilisez PAS d'adaptateur de mise à la terre.
- NE modifiez PAS la fiche fournie. Si elle ne s'adapte pas à la prise murale disponible, demandez à un électricien qualifié d'installer une prise murale appropriée.
- Un électricien qualifié DOIT effectuer la réparation du cordon ou de la fiche.

2. Assurez-vous que la prise de courant utilisée a la même configuration que la fiche de mise à la terre. N'UTILISEZ PAS UN ADAPTATEUR DE MISE À LA TERRE!



OU



3. Inspectez la fiche et le cordon avant chaque utilisation. N'utilisez PAS le compresseur s'il y a des signes de dommages.

IMPORTANT: Si vous ne comprenez pas tout à fait ces directives de mise à la terre, ou si vous avez des doutes que le compresseur soit mis à la terre de manière appropriée, faites vérifier l'installation par un électricien qualifié.

Procédure de rodage

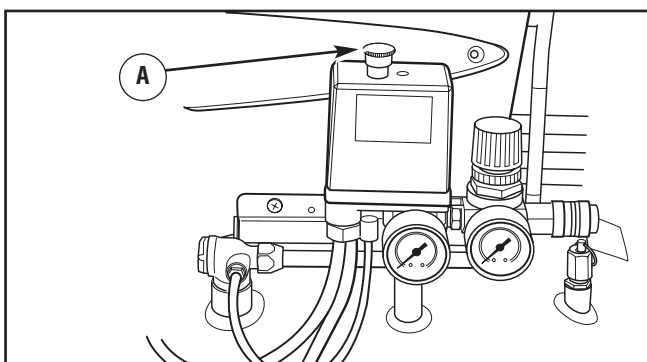
Avant la première utilisation de cet équipement, le système doit se soumettre à une procédure de rodage, tel que décrite dans cette section.

AVIS

Le compresseur d'air peut subir d'importants dommages, si les procédures de rodage ne sont pas suivies à la lettre.

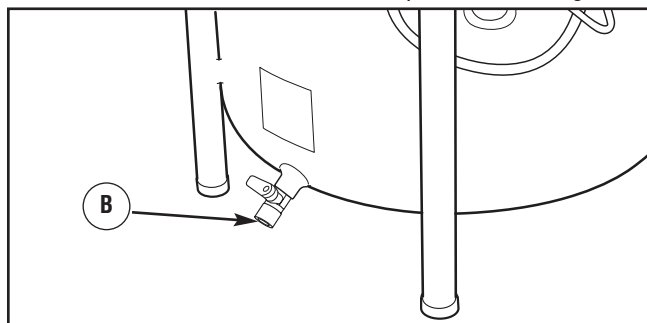
- Cette procédure doit être exécutée avant d'utiliser le compresseur d'air pour la première fois et après le remplacement de la soupape de retenue ou de la pompe complète du compresseur.

1. Assurez-vous que l'interrupteur **Marche - Arrêt (ON - OFF)** est à la position **Arrêt (OFF)** (A).



Fonctionnement

2. Branchez le cordon d'alimentation dans une prise murale mise à la terre de 120 volts C. A. Voir *Directives de mise à la terre*.
3. Ouvrez le robinet de vidange (B) (dévissez complètement dans le sens contraire des aiguilles d'une montre) pour empêcher une accumulation de pression dans le réservoir d'air lors de la période de rodage.



REMARQUE: Vidangez toujours le réservoir d'air au-dessus d'une surface lavable ou dans un contenant approprié pour éviter des dommages ou abîmer les surfaces.

4. Déplacez l'interrupteur **Marche - Arrêt (ON - OFF)** à la position **Marche (ON)**. Le compresseur démarrera.

REMARQUE: Si vous entendez une fuite d'air, tirez les connecteurs rapides vers l'arrière jusqu'à ce qu'ils se déclenchent pour réamorcer le raccord à manchon.

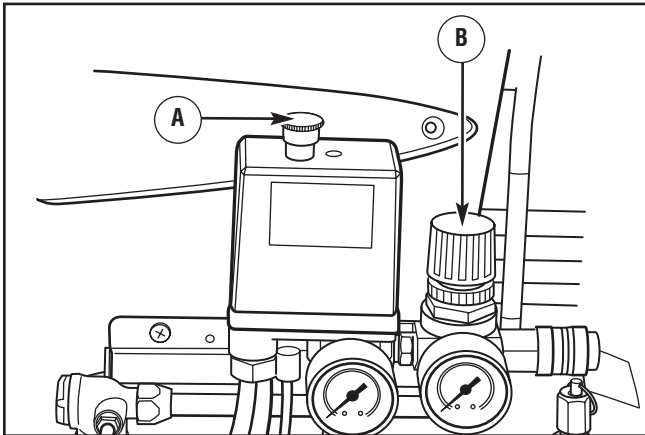
- Faites fonctionner le compresseur pendant 15 minutes. Assurez-vous que le robinet de vidange demeurent ouverts.
- Après 15 minutes fermez le robinet de vidange (en tournant complètement dans le sens des aiguilles d'une montre). Le réservoir d'air s'emplit jusqu'à la "pression de déclenchement" et le compresseur s'arrêtera.

REMARQUE: Vérifiez le niveau d'huile après la procédure de rodage.

Le compresseur a terminé la procédure de rodage et est maintenant prêt pour l'utilisation.

Démarrage de votre compresseur d'air

- Assurez-vous que l'interrupteur **Marche - Arrêt (ON - OFF) (A)** est à la position **Arrêt (OFF)**.



- Branchez le cordon d'alimentation dans une prise murale mise à la terre de 120 volts C. A.
- Tournez le bouton commande de pression (**B**) (PRESSURE CONTROL) dans le sens contraire des aiguilles d'une montre jusqu'à ce qu'il n'y ait plus de résistance.
- Déplacez l'interrupteur **Marche - Arrêt (ON - OFF)** à la position **Marche (ON)**. Le compresseur démarrera.

REMARQUE: Si le moteur ne démarre pas, veuillez-vous référer à *Dépannage*.

REMARQUE: Si vous entendez une fuite d'air, tirez le connecteur rapide vers l'arrière jusqu'à ce qu'ils déclenchent pour réamorcer le raccord à manchon.

Le compresseur d'air est entièrement automatique et contrôlé par le manostat. Le compresseur fonctionnera jusqu'à ce que la pression du réservoir d'air atteigne la "pression de déclenchement". Le compresseur redémarrera quand la pression dans les réservoirs d'air chutera sous la "pression d'enclenchement". Voir *Glossaire* pour obtenir les définitions.

REMARQUE: Utilisez toujours le compresseur d'air dans des espaces bien aérés sans vapeurs d'essence ni d'autres combustibles. Si le compresseur est utilisé pour pulvériser des substances chimiques volatiles (comme de la peinture), placez le compresseur à au moins 20 pieds (6.1 mètres) de l'endroit de pulvérisation.

Arrêt de votre compresseur d'air

- Déplacez l'interrupteur **Marche - Arrêt (ON - OFF)** à la position **Arrêt (OFF)**. Le moteur du compresseur s'arrêtera.
- Si vous avez terminé d'utiliser le compresseur, débranchez le cordon d'alimentation de la prise murale.
- Tirez sur la soupape de sûreté pour vidanger la plus grande partie de l'air comprimé du réservoir d'air. Relâchez la soupape.
- Ouvrez complètement le robinet de vidange pour vidanger entièrement le réservoir d'air.

REMARQUE: Vidangez toujours le réservoir d'air au-dessus d'une surface lavable ou dans un contenant approprié pour éviter des dommages ou abîmer les surfaces.

REMARQUE: Le compresseur génère de la condensation d'eau (condensat) qui s'accumule dans le réservoir d'air. Vidangez l'eau condensée à toutes les 4 heures ou quotidiennement.

- Fermez le robinet de vidange.

Rallonges

REMARQUE: Évitez d'utiliser des rallonges!

Le compresseur d'air devrait être situé dans un endroit où il peut directement être branché dans une prise murale. N'utilisez PAS de rallonges, sauf si c'est absolument nécessaire. Augmentez plutôt la longueur du boyau d'air en connectant un ou plusieurs des boyaux.

Si une rallonge doit être utilisée, veuillez suivre ces directives:

- Utilisez seulement une rallonge à trois conducteurs, munie d'une fiche à trois lames avec mise à la terre et une prise de courant à trois fentes qui accepte la fiche du compresseur d'air.
- Assurez-vous que la rallonge est en bon état.
- Lorsque le compresseur est utilisé à l'extérieur, n'utilisez que des rallonges identifiées "Conçues pour usage à l'extérieur".
- Suivez les instructions suivantes concernant les longueurs de rallonges:

<u>Distance requise</u>	<u>Calibre recommandé</u>
Moins de 25 pieds (7,5 m)	12 AWG
(25 à 50 pieds (7,5 à 15 m)	10 AWG
Plus de 50 pieds (15 m)	Non recommandé

Utilisation du compresseur

Vous n'aurez pas à utiliser le maximum de pression de fonctionnement en tout temps étant donné que les outils pneumatiques utilisés requièrent souvent moins de pression. Voici donc des lignes directrices générales pour l'ajustement de la pression.

1. Alors que le compresseur est connecté à une source d'alimentation appropriée et qu'il est en position Marche (ON), connectez les outils pneumatiques ou accessoires désirés soit aux raccords de connexion rapide. Utilisez le boyau d'air et le raccord de connexion rapide recommandés.
2. Activez l'outil pneumatique et tournez le bouton Commande de pression dans le sens des aiguilles d'une montre pour augmenter la pression de sortie.

⚠ AVERTISSEMENT	
	Excéder la pression nominale des outils pneumatiques ou accessoires de gonflement pourrait entraîner des blessures corporelles ou des dommages matériels.
<ul style="list-style-type: none"> • N'ajustez PAS la pression à un niveau supérieur aux valeurs nominales maximum des outils pneumatiques ou des accessoires de gonflement. 	

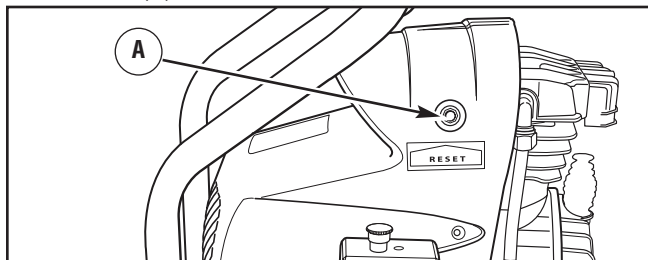
3. Observez la manomètre de l'échappement et ajustez la pression selon les recommandations d'ajustement pour l'outil pneumatique.

REMARQUE: Vous devrez ajuster l'air échappement alors que l'outil est utilisé ou activé.

4. Utilisez la bague de verrouillage de la commande de pression, pour verrouiller selon le réglage de pression choisi, en la resserrant contre le bouton de commande de pression.
5. Avant d'utiliser l'appareil, assurez-vous qu'il se trouve sur une surface de niveau afin d'éviter tout problème de lubrification.


Réarmement du protecteur de surcharge

Ce compresseur est équipé d'une caractéristique de protection de surcharge qui protège le moteur en cas de surchauffe. Si le moteur de compresseur surchauffe et "déclenche" ce disjoncteur, attendez 15 minutes que le moteur refroidisse. Puis poussez alors le bouton de réarmement (A) situé sur la tôle protectrice du moteur.



Voir également la section *Dépannage* pour obtenir des informations supplémentaires.

Observez ces consignes de sécurité lors de l'utilisation du compresseur d'air:

⚠ AVERTISSEMENT	
	Le compresseur peut démarrer en tout temps lorsqu'il est en opération.
<ul style="list-style-type: none"> • ÉLOIGNEZ-VOUS • Débranchez la source d'alimentation de courant et libérez la pression du réservoir lorsque l'unité n'est pas utilisée ou avant d'effectuer l'entretien. 	

⚠ AVERTISSEMENT	
 	Le jet d'air comprimé du boyau ou du robinet de vidange peut causer des lésions aux tissus de la peau exposée et peut projeter des objets entraînant des blessures graves et / ou des dommages à la propriété.
<ul style="list-style-type: none"> • NE dirigez PAS le jet d'air vers vous-même ou quelqu'un d'autres. • Portez toujours des lunettes de sécurité avec protection latérale approuvées ANSI Z87.1. 	

⚠ AVERTISSEMENT	
	L'inhalation de l'air comprimé n'est pas sécuritaire et peut causer de graves blessures. Certains produits de peinture ou solvants peuvent être nocifs en cas d'ingestion ou d'inhalation et peuvent provoquer des nausées, un évanouissement ou un empoisonnement.
<ul style="list-style-type: none"> • N'utilisez PAS l'air comprimé pour l'inhalation. • Portez toujours un respirateur homologué par la NIOSH et conçu pour votre application. • Lisez toujours les directives d'utilisation du respirateur de façon à vous assurer qu'il fournit la protection nécessaire contre l'inhalation de vapeurs nocives. 	

⚠ AVERTISSEMENT	
	Lors du fonctionnement, le compresseur d'air et les tubes de sortie sont CHAUDS et peuvent causer des brûlures.
<ul style="list-style-type: none"> • NE touchez PAS au compresseur et aux tubes. • Laissez refroidir le compresseur avant d'effectuer l'entretien. 	

⚠ AVERTISSEMENT	
	Tout contact avec le compresseur ou son cordon d'alimentation peut causer un choc électrique dangereux ou des brûlures. Le compresseur doit être mis à la terre.
<ul style="list-style-type: none"> • N'utilisez PAS d'adaptateur de mise à la terre. Inspectez le cordon d'alimentation avant chaque utilisation. • N'utilisez PAS le compresseur sans les couvercles protecteurs ou si les gardes sont manquants ou endommagés. • Ne faites PAS fonctionner dans un milieu détrempe. Entrez l'unité à l'intérieur. • Débranchez la source d'alimentation de courant et libérez la pression du réservoir lorsque l'unité n'est pas utilisée ou avant d'effectuer l'entretien. 	

Fonctionnement

Entretien

Calendrier d'entretien

Respectez le calendrier d'entretien du nettoyeur selon le nombre d'heures de fonctionnement ou le temps écoulé, le premier des deux prévalant. Un entretien plus fréquent est requis lors d'une utilisation dans des conditions défavorables telles qu'indiquées ci-dessous.

TÂCHE D'ENTRETIEN	DATES D'ENTRETIEN				DATES D'ENTRETIEN		
	Quotidiennement	Semaine	Aux 50 heures ou 1 fois l'an	Aux 100 heures ou 1 fois l'an			
Vérifiez la soupape de sûreté	X						
Vérifiez les raccords/soupapes	X						
Vérifiez le niveau d'huile		X					
Nettoyez l'unité		X					
Vérifiez et nettoyez le filtre à air			X				
Changement la pompe à l'huile				X*			
Vérifiez les étiquettes de sécurité				X**			

* Changez l'huile après les 100 premières heures d'opération et par la suite aux 300 heures d'opération.

** Inspectez annuellement, remplacez au besoin

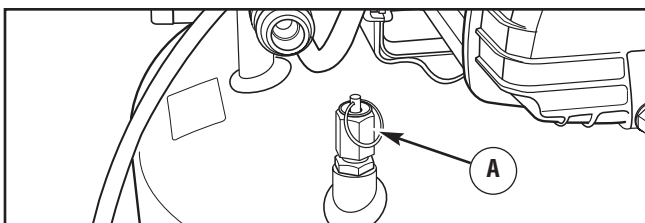
Recommandations générales

Pour assurer un fonctionnement efficace et une longue durée de vie au compresseur d'air, préparez et conformez-vous à un calendrier d'entretien de routine. La routine décrite dans cette section est conçue pour un compresseur d'air utilisé quotidiennement dans des conditions normales de travail. Au besoin, modifiez le calendrier pour vous adapter aux conditions d'utilisation de votre compresseur. Les modifications seront sujettes aux heures d'utilisation et à l'environnement de travail. L'utilisation des compresseurs d'air dans des environnements extrêmement hostiles et sales nécessitera des vérifications d'entretien plus fréquentes.

REMARQUE: Voir la section *Fonctions et Commandes et Opération* au sujet de l'emplacement des commandes.

Vérifiez la soupape de sûreté

1. Tirez l'anneau de la soupape de sûreté (A) et observez si elle fonctionne sans contrainte.



2. Si la soupape est coincée ou si elle ne fonctionne pas librement, elle doit être remplacée par le même type de soupape. Apportez l'unité au centre de service autorisé pour la réparation.

Vérifiez le robinet de vidange du réservoir

1. Déplacez l'interrupteur **Marche - Arrêt (ON - OFF)** à la position **Arrêt (OFF)** et débranchez l'unité.
2. Déconnectez l'outil pneumatique ou l'accessoire de l'unité.



AVERTISSEMENT



Le jet d'air comprimé du boyau ou du robinet de vidange peut causer des lésions aux tissus de la peau exposée et peut projeter des objets entraînant des blessures graves et / ou des dommages à la propriété.

- NE dirigez PAS le jet d'air vers vous-même ou quelqu'un d'autres.
- Portez toujours des lunettes de sécurité avec protection latérale approuvées ANSI Z87.1.

3. Tirez l'anneau de la soupape de sûreté pour réduire la pression d'air. Relâchez l'anneau de la soupape de sûreté.
4. Ouvrez le robinet de vidange (dévissez complètement dans le sens contraire des aiguilles d'une montre) et permettez à l'eau accumulée dans le réservoir de se vidanger. Les soupapes doivent fonctionner librement et posséder la plage complète d'opération.
5. Lorsque l'eau a été vidangée, fermez le robinet de vidange en tournant complètement dans le sens des aiguilles d'une montre.

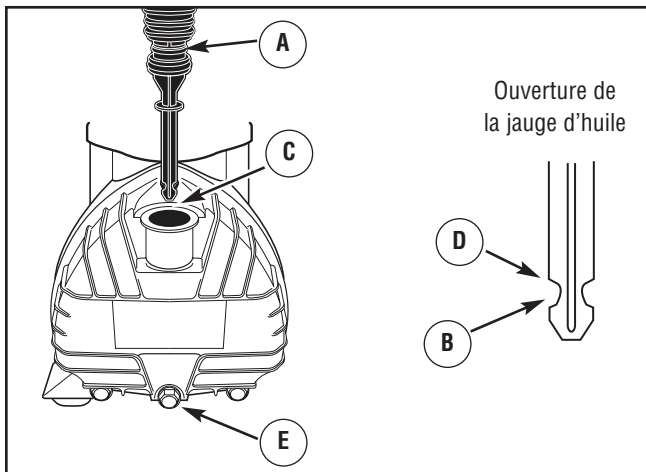
REMARQUE: Si la soupape de purge est coincée, tirez avec précaution sur la soupape de sûreté pour vidanger entièrement le réservoir d'air. Retirez, nettoyez et réinstallez les robinets de vidange en utilisant du ruban pour joints filetés.

Huile de la pompe

Vérification du niveau d'huile

Suivez ces étapes pour vérifier le niveau d'huile:

1. Déplacez l'interrupteur **Marche - Arrêt (ON - OFF)** à la position **Arrêt (OFF)** et débranchez l'unité.
2. Placez l'unité sur une surface plane et de niveau.
3. Retirez la jauge d'huile (A) et essuyez toutes traces d'huile.



4. Insérez complètement la jauge d'huile dans l'orifice de remplissage d'huile.
5. Retirez délicatement la jauge et vérifiez si le niveau d'huile est approprié (B).
6. Si le niveau d'huile est trop bas, ajoutez l'huile recommandée jusqu'au niveau approprié. Si le niveau d'huile est au-dessus du niveau d'huile MAXIMUM (D), enlevez l'huile excédentaire tel que décrit dans la section suivante.
7. Remplacez la jauge d'huile.

Changement d'huile

Aux intervalles de changement d'huile recommandés, suivez les étapes suivantes:

1. Déplacez l'interrupteur **Marche - Arrêt (ON - OFF)** à la position **Arrêt (OFF)** et débranchez l'unité.
2. Placez l'unité sur une surface plane et de niveau.

⚠ AVERTISSEMENT	
	Lors du fonctionnement, le compresseur d'air et les tubes de sortie sont CHAUDS et peuvent causer des brûlures.
<ul style="list-style-type: none">• NE touchez PAS au compresseur et aux tubes.• Laissez refroidir le compresseur avant d'effectuer l'entretien.	

3. Retirez la jauge d'huile et essuyez toutes traces d'huile.
4. Placez un contenant approprié sous le bouchon de vidange d'huile (E) pour récupérer l'huile vidangée.
5. Utilisez une clé à mollette pour enlever le bouchon de vidange à tête hexagonale.

6. Videz complètement l'huile dans le contenant approprié. Installez le bouchon de vidange et serrez-le en utilisant la clé à mollette. Jetez l'huile usée selon les réglementations.
7. En utilisant un entonnoir, ajoutez lentement l'huile recommandée. Vérifiez fréquemment le niveau de l'huile avec la jauge à l'huile pour éviter le remplissage excessif de la pompe.
8. Lorsque l'huile se situe au niveau approprié, réinsérez la jauge à l'huile et essuyez toute trace d'huile déversée.

Nettoyage de l'unité

Conservez votre compresseur d'air propre et sec en le plaçant dans un endroit loin des sources de contamination. Assurez-vous que l'unité est gardée dans un endroit bien aéré. Protégez les boyaux, les raccords, les raccords rapides et les accessoires à l'abri des dommages.

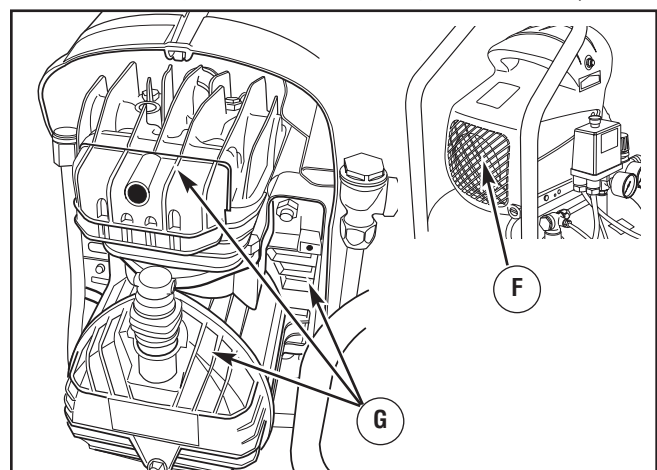
Pour prolonger la durée de vie du compresseur, effectuez les étapes suivantes à toutes les semaines. Lorsque l'environnement d'utilisation est particulièrement sale, effectuez les étapes suivantes à tous les jours.

1. Déplacez l'interrupteur **Marche - Arrêt (ON - OFF)** à la position **Arrêt (OFF)** et débranchez l'unité.

⚠ AVERTISSEMENT	
	Lors du fonctionnement, le compresseur d'air et les tubes de sortie sont CHAUDS et peuvent causer des brûlures.
<ul style="list-style-type: none">• NE touchez PAS au compresseur et aux tubes.• Laissez refroidir le compresseur avant d'effectuer l'entretien.	

IMPORTANT: N'utilisez PAS de jet d'eau ou de liquides inflammables pour nettoyer l'unité.

2. Utilisez un linge doux et une petite brosse pour nettoyer la saleté et les débris accumulés sur les surfaces suivantes:
 - Les grilles d'aération situées du côté gauche de la tôle protectrice du moteur (F) (à l'extrémité opposée de l'emplacement pour le remplissage d'huile)



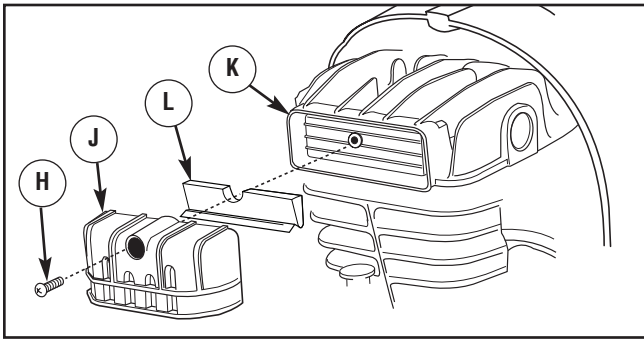
- Les ailettes de refroidissement (G) situées sur le dessus de la pompe du compresseur d'air
- Les ailettes de refroidissement (G) situées sur les côtés de la pompe du compresseur d'air, tout spécialement entre les côtés de la pompe et la tôle de protection

- L'orifice de remplissage d'huile et ses parties adjacentes sur le bâti de la pompe à air
- Orifice de vidange d'huile sur le bâti de la pompe à air
- Bouton de commande de pression, manomètres, raccords à connexion rapide et soupape de sûreté

Vérifiez/nettoyez le filtre à air

Suivez les étapes suivantes pour vérifier et nettoyer le filtre à air intégré du compresseur.

1. Lorsque le réservoir d'air est complètement pressurisé (l'interrupteur **Marche - Arrêt (ON - OFF)** à la position **Marche** et le moteur arrêté), déplacez l'interrupteur **Marche - Arrêt** à la position **Arrêt (OFF)**. Débranchez le cordon d'alimentation de la prise murale.
2. Utilisez un tournevis phillips pour retirer la vis (H) retenant le couvercle du filtre à air (J). Enlevez le couvercle du filtre à air.



3. Retirez le filtre à air (L).

IMPORTANT: NE PAS utiliser le compresseur alors que le filtre à air est enlevé.

⚠ AVERTISSEMENT



Le jet d'air comprimé du boyau ou du robinet de vidange peut causer des lésions aux tissus de la peau exposée et peut projeter des objets entraînant des blessures graves et / ou des dommages à la propriété.



- NE dirigez PAS le jet d'air vers vous-même ou quelqu'un d'autres.
- Portez toujours des lunettes de sécurité avec protection latérale approuvées ANSI Z87.1.

4. S'il est sale, utilisez de l'air comprimé pour déloger la saleté du filtre. Soufflez également les débris du couvercle du filtre à air et du bâti du filtre du compresseur.

REMARQUE: N'utilisez PAS de solvants liquides pour nettoyer le filtre.

5. Remplacez le filtre à air dans le bâti du filtre du compresseur.
6. Remplacez le couvercle du filtre à air sur le filtre. Utilisez le tournevis phillips pour fixer le couvercle avec la vis.

REMARQUE: Remplacez le filtre s'il est extrêmement sale.

Vérifiez les étiquettes de sécurité

Aussi souvent que vous le désirez ou au moins une fois par année, vérifiez toutes les étiquettes apposées sur le compresseur d'air. Toutes les étiquettes de sécurité doivent être présentes et lisibles. Si une étiquette de sécurité est manquante ou illisible, obtenez un formulaire de remplacement à un centre de service autorisé ou appelez au service de dépannage du compresseur d'air au numéro sans frais (800) 743-4115.

Entreposage

Avant d'entreposer votre compresseur d'air, assurez-vous d'exécuter les étapes suivantes:

1. Révissez Entretien et exécutez le calendrier d'entretien au besoin.
2. Déplacez l'interrupteur **Marche - Arrêt (ON - OFF)** à la position **Arrêt (OFF)** et débranchez l'unité.
3. Tournez le bouton de commande de pression dans le sens contraire des aiguilles d'une montre jusqu'à ce que le bouton tourne librement.
4. Enlevez l'outil pneumatique ou l'accessoire de l'unité.



AVERTISSEMENT



Le jet d'air comprimé du boyau ou du robinet de vidange peut causer des lésions aux tissus de la peau exposée et peut projeter des objets entraînant des blessures graves et / ou des dommages à la propriété.



- NE dirigez PAS le jet d'air vers vous-même ou quelqu'un d'autres.
- Portez toujours des lunettes de sécurité avec protection latérale approuvées ANSI Z87.1.

5. Tirez l'anneau de la soupape de sûreté et vidangez l'air du réservoir d'air pour réduire la pression d'air. Relâchez l'anneau de la soupape de sûreté.
6. Vidangez l'air et l'eau restant du réservoir en ouvrant complètement les robinets de vidange dans le sens contraire aux aiguilles d'une montre.
7. Lors de la vidange, agitez l'unité vers l'avant et vers l'arrière pour brasser l'air condensé afin d'effectuer un nettoyage en profondeur.
8. Lorsque l'eau a été vidangée, fermez les robinets de vidange en tournant complètement dans le sens des aiguilles d'une montre.
9. Protégez le cordon électrique et le boyau d'air des dommages (tel que décrit précédemment).
10. Entreposez le compresseur d'air à l'intérieur dans un endroit propre et sec.

Dépannage

Avant de nous contacter

Si vous éprouvez des problèmes avec l'utilisation de votre compresseur d'air, veuillez appeler le service de dépannage du compresseur d'air au **(800) 743-4115**. Si vous appelez pour obtenir de l'assistance, ayez en main le numéro de modèle, le numéro de série et de révision que vous trouverez sur l'étiquette de données.

PROBLÈMES	CAUSE	SOLUTION
Suppression du réservoir – Déclenchement de la soupape de sûreté	Le manostat n'arrête pas le moteur lorsque le compresseur atteint la pression de déclenchement ou les ajustements de rupture trop élevés.	Déplacez l'interrupteur Marche - Arrêt (ON - OFF) à la position Arrêt (OFF) . Si l'unité ne s'arrête pas, communiquez avec un technicien qualifié.
Fuite d'air	<ol style="list-style-type: none">1. Raccord à connexion fendillé ou lâche.2. Vérifiez si le siège de la soupape est sale ou endommagé.3. Soupape de relâchement de manostat défectueuse.4. Réservoir d'air défectueux.5. Joint d'étanchéité qui fuit.6. Régulateur endommagé.	<ol style="list-style-type: none">1. Resserrez les raccords à connexion rapide aux endroits où des fuites d'air sont perçues. Remplacez les raccords.2. Contactez un technicien de service qualifié.3. Contactez un technicien de service qualifié.4. Le réservoir d'air doit être remplacé. NE RÉPAREZ PAS LE RÉSERVOIR.5. Contactez un technicien de service qualifié.6. Contactez un technicien de service qualifié.
Cognement	Soupape de sûreté sale ou défectueuse.	Activez manuellement la soupape de sûreté en tirant sur l'anneau. Si la soupape fuit toujours, faites-la remplacer à un centre de service autorisé.

PROBLÈMES	CAUSE	SOLUTION
<p>Le compresseur ne fournit pas suffisamment d'air pour le fonctionnement des accessoires</p>	<ol style="list-style-type: none"> 1. Utilisation excessive prolongée de l'air. 2. Le compresseur n'est pas de capacité suffisante pour les exigences d'air demandées. 3. Trou dans le boyau 4. Vérifiez la restriction de la soupape. Fuites d'air. 5. Restriction du filtre de la soupape d'admission. 	<ol style="list-style-type: none"> 1. Diminuez la quantité d'air utilisé. 2. Vérifiez les exigences de l'accessoire. Si elles sont supérieures au SCFM ou à la pression fournie par votre compresseur d'air, vous aurez besoin d'un compresseur d'air de plus grande capacité. 3. Vérifiez et remplacez au besoin. 4. Enlevez et nettoyez ou remplacez la soupape de sûreté. 5. Nettoyez ou remplacez la soupape d'admission du filtre.
<p>Le moteur ne fonctionne pas</p>	<ol style="list-style-type: none"> 1. L'interrupteur de protection de surcharge du moteur a déclenché. 2. La pression dans le réservoir excède la pression de l'interrupteur "d'enclenchement". 3. Raccordements électriques lâches. 4. Possibilité de défaillance du moteur ou du condensateur de démarrage. 5. La tige de relâchement de surpression du manostat n'a pas vidangé la pression d'air de la tête du compresseur. 6. Fusible grillé, disjoncteur déclenché. 	<ol style="list-style-type: none"> 1. Laissez le moteur refroidir durant 15 minutes. Appuyez sur RESET (réarmement) pour réarmer l'interrupteur de surtension. 2. Le moteur démarrera automatiquement lorsque la pression dans le réservoir chute sous l'ajustement "d'enclenchement". 3. Vérifiez la connexion du filage à l'intérieur de l'interrupteur de pression et de la boîte de contrôle. 4. Contactez un technicien de service qualifié qui fera la vérification. 5. Libérez la pression en réglant l'interrupteur ON – OFF (MARCHE – ARRÊT) à la position OFF (ARRÊT). Si la soupape de relâchement de surpression ne s'ouvre pas, communiquez avec un technicien qualifié. 6A. Vérifiez la boîte de fusibles pour rechercher un fusible grillé et remplacez-le au besoin. Réarmez le disjoncteur. N'utilisez PAS un fusible ou un disjoncteur ayant une valeur nominale supérieure à celle spécifiée pour ce circuit. B. Vérifiez pour utiliser le fusible approprié. Utilisez un fusible temporisé. C. Vérifiez les conditions de bas voltage et/ou de rallonge appropriée. D. Débranchez toutes les autres charges électriques du circuit utilisées par le compresseur d'air OU utilisez le compresseur d'air sur un circuit distinct.

Glossaire

En devenant familier avec ces termes, ceci vous aidera à comprendre et à utiliser votre compresseur d'air.

Antivibrateurs – Leur installation est conçue pour minimiser les vibrations produites par le compresseur d'air.

Certification ASME – Indique que l'appareil sous pression (réservoir d'air) et les composants qui y sont reliés sont fabriqués, testés et inspectés conformément aux spécifications établies par l'American Society of Mechanical Engineers.

CFM, pi3/min ou **SCFM** (Pieds cubes par minute standard). Le SCFM est le volume d'air, par pieds cubes que le compresseur peut pomper en en minute à une pression de travail spécifique. Le terme pi3/min est utilisé dans ce manuel.

Commande de pression – Souvent appelé un régulateur, ce dispositif est utilisé pour ajuster la pression de sortie d'air du compresseur. La commande de pression est ajustée pour fournir une valeur en lb/po2 requise par certains outils pneumatiques tels que surveillés par la jauge de pression d'échappement.

Compresseur à deux étages – Un compresseur à deux étages possède toujours un minimum de deux cylindres – un cylindre de basse pression (LP) et un cylindre de haute pression (HP) (plus petit). Lorsque le piston LP est en course descendante, l'air est prélevé dans la pression atmosphérique, en course ascendante le piston LP décharge l'air par un refroidisseur intermédiaire et dans le cylindre HP en course descendante. Le piston HP en course ascendante décharge l'air dans le réservoir d'air. Les compresseurs à deux étages sont recommandés lorsque l'outil pneumatique est en utilisation continue.

Compresseur à un étage – Un compresseur à un étage fait référence à un compresseur d'air possédant un cylindre ou plus qui prélève l'air dans chacun des cylindres en course descendante et qui compresse l'air dans le réservoir d'air en course ascendante.

Courant alternatif (C.A.) – La tension qui augmente à une valeur positive maximum (+) et qui chute à zéro et qui continue à une valeur négative maximum (-) et qui retourne à zéro. Ce cycle se répète 60 fois par seconde pour une alimentation C.A. de 60 hertz.

Disjoncteur – Un thermorupteur qui ouvre un circuit si une quantité d'intensité trop élevée y passe. Le moteur du compresseur d'air est protégé par ce dispositif de réarmement.

GFCI – Disjoncteur de fuite de terre. Un dispositif qui détectera le débit d'intensité à la valeur nominale de milliampères dans un circuit d'alimentation au conducteur à la terre et qui activera un relais qui ouvrira l'un et l'autre des conducteurs d'alimentation.

Jauge de pression de réservoir – Un dispositif utilisé pour indiquer la pression d'air contenue en lb/po2 dans le réservoir d'air.

Manchon en fonte – Un fin cylindre de fer moulé dans la tête du cylindre, produisant une surface plus dure entre les parois d'aluminium du cylindre et les segments de piston d'acier, qui augmente ainsi la durée de vie du compresseur.

Mise à la terre – Une connexion soit intentionnelle ou accidentelle entre un circuit électrique et la terre ou à un corps conducteur tenant lieu de la terre.

Pression d'enclenchement – L'air qui sort du réservoir d'air fait décroître la pression dans le réservoir d'air. À un certain niveau bas, le manostat détecte cette baisse de pression et fait démarrer le moteur du compresseur, remplissant ainsi à nouveau le réservoir d'air. Le niveau auquel l'interrupteur du moteur devient en Marche (ON) est appelé Pression d'enclenchement.

Pression de déclenchement – Alors que le compresseur fonctionne, de l'air est produit et emmagasiné dans le réservoir d'air. Si l'air n'est pas utilisé, la pression d'air augmentera dans le réservoir. À un certain haut niveau, le manostat détecte cette hausse de pression et fait arrêter le moteur du compresseur. Le niveau auquel l'interrupteur du moteur devient en Arrêt (OFF) est appelé Pression de déclenchement.

Prise double – Deux prises de 120 volts C.A. qui sont réunis ensemble. Similaires aux prises que vous avez à la maison.

Sortie d'air – Une combinaison de lb/po2 et de pi3/min. La sortie d'air requise par un outil pneumatique ou un accessoire est indiquée en "nombre" de pi3/min à "nombre" de lb/po2". Par exemple "4,9 CFM à 90 lb/po2". La combinaison de ces valeurs détermine la capacité requise par le compresseur d'air.

Soupape de sûreté ASME – Un dispositif de protection qui vidange automatiquement le réservoir d'air si l'air qu'il contient excède une valeur nominale maximum ajustée au préalable.

Taille du réservoir d'air – Le volume d'air emmagasiné dans le réservoir et sa disponibilité pour usage immédiat. Un réservoir de grande taille permet des usages intermittents d'un outil pneumatique ayant une exigence de sortie d'air qui est plus élevée que la valeur nominale de sortie d'air du compresseur.

GARANTIE DU PROPRIÉTAIRE D'UN COMPRESSEUR D'AIR DE BRIGGS & STRATTON POWER PRODUCTS GROUP, LLC

À partir du 1 juillet, 2007, la présente garantie remplace toute garantie non datée et toute garantie dont la date est antérieure au 1 juillet, 2007

GARANTIE LIMITÉE

Briggs & Stratton Power Products Group, LLC réparera ou remplacera, sans frais, toutes pièces défectueuses du compresseur d'air comportant un vice de matériau ou un défaut de fabrication ou les deux. En vertu de la présente garantie, les frais de transport des produits soumis pour réparation ou remplacement sont à la charge de l'acheteur. La présente garantie sera en vigueur durant les périodes stipulées ci-dessous et est assujettie aux conditions stipulées ci-dessous. Pour obtenir des services en vertu de la garantie, veuillez consulter notre Outil de recherche d'un Service après-vente agréé au <http://www.BRIGGSandSTRATTON.COM> afin de trouver un distributeur de service après-vente agréé dans votre région.

IL N'EXISTE AUCUNE AUTRE GARANTIE EXPRESSE. LES GARANTIES IMPLICITES, INCLUANT CELLES DE QUALITÉ MARCHANDE ET D'ADAPTATION À UN USAGE PARTICULIER, SONT LIMITÉES À UNE PÉRIODE D'UN AN À PARTIR DE LA DATE D'ACHAT OU JUSQU'À LA LIMITE PERMISE PAR LA LOI, TOUTE GARANTIE IMPLICITE EST EXCLUE. LA RESPONSABILITÉ POUR DOMMAGES ACCESSOIRES OU INDIRECTS EST EXCLUE DANS LA MESURE OÙ UNE TELLE EXCLUSION EST PERMISE PAR LA LOI. Certains États/provinces ou pays n'autorisent aucune restriction sur la durée d'une garantie implicite, et certains États/provinces ou pays n'autorisent pas l'exclusion ou la limitation des dommages consécutifs ou indirects. Par conséquent, les restrictions et exclusions décrites ci-dessus pourraient ne pas s'appliquer dans votre cas. La présente garantie vous accorde certains droits légaux spécifiques et vous pourriez également en avoir d'autres, qui peuvent varier d'un État ou d'une province à l'autre et d'un pays à l'autre.

PÉRIODE DE GARANTIE

Usage par un consommateur	2 ans
Usage à des fins commerciales	2 ans

La période de garantie débute à la date d'achat par le premier acheteur au détail ou par le premier utilisateur commercial final, et se prolonge pour la durée stipulée ci-dessus. "Usage par un consommateur" signifie utilisation domestique personnelle dans une résidence, par l'acheteur au détail. "Usage à des fins commerciales" signifie toute autre utilisation, y compris à des fins commerciales, générant de revenus ou de location. Aux fins de la présente garantie, dès qu'un équipement a été utilisé commercialement une fois, il est par la suite considéré comme étant d'usage à des fins commerciales.

POUR EXERCER LA GARANTIE SUR TOUT PRODUIT FABRIQUÉ PAR BRIGGS & STRATTON, IL N'EST PAS NÉCESSAIRE DE L'ENREGISTRER. CONSERVEZ LE REÇU COMME PREUVE D'ACHAT. SI, LORS D'UNE RÉCLAMATION DE GARANTIE, VOUS NE POUVEZ PROUVER LA DATE INITIALE DE L'ACHAT, NOUS UTILISERONS LA DATE DE FABRICATION DU PRODUIT COMME DATE DE RÉFÉRENCE POUR DÉTERMINER LA PÉRIODE DE GARANTIE.

À PROPOS DE LA GARANTIE

Nous acceptons de faire effectuer les réparations couvertes par la garantie et tenons à nous excuser pour tout inconfort subi. Tout agent d'un service après-vente agréé peut exécuter les réparations couvertes par la garantie. La plupart des réparations couvertes par la garantie sont traitées automatiquement; cependant, il arrive parfois que les demandes de service en vertu de la garantie soient non fondées. Par exemple, la garantie ne couvre pas les dommages causés à l'équipement par une utilisation abusive, par un manque d'entretien périodique, durant l'expédition, la manutention ou l'entreposage, ou en raison d'une installation inadéquate. De même, la garantie sera annulée si la date de fabrication ou le numéro de série apposé sur le compresseur d'air a été enlevé ou si l'équipement a été changé ou modifié. Durant la période de garantie, le distributeur de service après-vente agréé réparera ou remplacera, à son gré, toute pièce qui, après examen, est trouvée défectueuse à la suite d'une utilisation et d'un entretien normaux. La présente garantie ne couvre pas les réparations et les équipements suivants:

- **Usure normale:** Comme tout autre dispositif mécanique, les groupes électrogènes d'extérieur nécessitent l'entretien périodique de certaines pièces pour fonctionner adéquatement. La présente garantie ne couvre pas les frais de réparation des pièces ou des équipements dont la durée de vie utile a été dépassée à la suite d'une utilisation normale.
- **Installation et entretien:** La présente garantie ne couvre pas les équipements ou les pièces qui ont fait l'objet d'une installation ou de modifications et de changements inadéquats ou non autorisés, d'une mauvaise utilisation, de négligence, d'un accident, d'une surcharge, d'emballement, d'entretien inadéquat, de réparation ou d'entreposage qui, selon nous, auraient nui à la performance et à la fiabilité du produit. De plus, la garantie ne couvre pas l'entretien normal tel que les filtres à air, les réglages et ainsi de suite.
- **Exclusions supplémentaires:** La présente garantie exclut les pièces qui s'usent tels que les joints d'étanchéité et les joints toriques, etc. La présente garantie exclut également les compresseurs d'air ayant fonctionné sans huile, soumise au gel avec de l'eau dans le ou les réservoirs. Ce compresseur d'air est garanti pour une utilisation intermittente et ne doit pas être soumis à une utilisation continue. Les pièces accessoires telles que les boyaux d'air ou les outils pneumatiques non fournis avec le compresseur ne sont pas couverts par la garantie du produit. Cette garantie exclut toute défaillance due à une catastrophe naturelle ou à toute autre force majeure hors du contrôle du fabricant. 203939F, Rev. -, 7/1/2007



PROSERIES

Compresseur d'air

Caractéristiques du produit

Fréquence C.A.: 60 Hz
Tension nominale C.A.:120 volts, monophasé
Type de pompe:Entraînement direct lubrifié à l'huile
Lubrifiant:Huile synthétique SAE 5W50 ou 85W140
Capacité du carter d'huile:7.168 oz. (200ml)
Sortie d'air:
 A 40 lb/po24,9 pi3/min
 A 90 lb/po23,6 pi3/min
Ajustement de la pression
d'enclenchement:90 lb/po2 (6,2 bars)
Ajustement de la pression
de déclenchement:125 lb/po2 (8,7 bars)
Taille du réservoir:6 Gallons (22,5 L)
Style de réservoir:Plat, simple (type aplati)
Dimension recommandée de boyau d'air:3/8 pouces (14mm) DI
Raccords d'air:1/4 pouce NPT
Type de raccords à connexion rapide:I/M
Plage d'utilisation de température: .32° à 97° F (0° à + 35° C)
Poids à l'expédition:60 lb. (27,3 Kg)

Pièces d'entretien courant

Filtre à air200697GS

Briggs & Stratton Power Products Group, LLC
900 N. Parkway
Jefferson, Wisconsin, 53549 U.S.A.